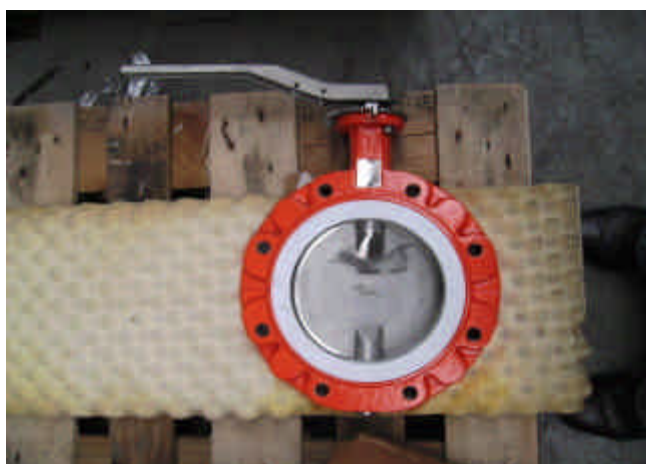


Vlinderkleppen / Butterflyvalves

€ -	prijs per stuk				
€ 35.000,00	totaalprijs			prijs is:	
code 1712-12				exclusief	transport
Omschrijving	CAT A	ZH		exclusief	BTW

Voorraad nieuwe Technova vlinderkleppen, totaal 1448 stuks met een nieuwwaarde van € 175.000,- De kleppen zijn nieuw en getest maar de certificaten zijn niet meer beschikbaar. Inventarisatielijst met alle specificaties is beschikbaar.

We have a stock Technova butterflyvalves available, 1448 PCS. New value of this stock is € 175.000,-. The valves are new and in excellent condition but the certificates are not available. List with specifications is available.



SPHER-O-DISC® Butterfly Valves BFV-PL Series

Construction of Fully Lined Valves Cut-away model BFV-PL Wafer, PTFE/PFA/Silicone

Double-D Stem acc. to EN 12116

featuring visual position indication

Mounting Flange acc. to ISO 5211

compatible to a variety of actuators

Rated Breaking Point outside of valve

Stem Bearing Threefold

maintenance-free, with PTFE sliding surface

Atmospheric Seal (Viton-O-Ring)

providing external corrosion protection

Valve Marking acc. to EN 19

on body and name plate assure easy identification

Two-piece Body

Standard bodies made of ductile iron GGG40.3 (60-40-18), with powder coating RAL 2004 pure orange

Option Stuffing Box acc. to TALuft

Centering Lugs

for accurate positioning of the valve between flanges

Pre-stressed, dynamic

Stem Sealing Arrangement - The steel pressure ring transfers the belleville-spring action and elastomer compression force onto liner and disc hub, providing a bubble-tight stem sealing mechanism for upper and lower stem sealing areas

Body Liner

made of high quality plastomers such as PTFE, PTFE-AS, NOVAFLON®, UHMWPE etc., with a minimum thickness of 3 mm (0.12 inch), for corrosive/abrasive services

Wide, chambered Sealing Surface

prevents radial cold flow of liner under flange bolting forces, eliminates any need of additional gaskets

High strength Disc - with optimized disc contour, highest flow rates by using forged disc cores up to DN 400 (16")

One-piece Disc/Stem

available in a large selection of metallic materials such as SS316L, Titanium Gr.2, Hastelloy®C, Monel® etc. or with encapsulations made of PFA, PFA-AS, PVDF, PolyPro or ETFE - with a minimum thickness of 2.5 mm (0.1 inch) providing maximum permeation protection and structural integrity under vacuum due to the mechanically bonded plastomer

Body Bolts

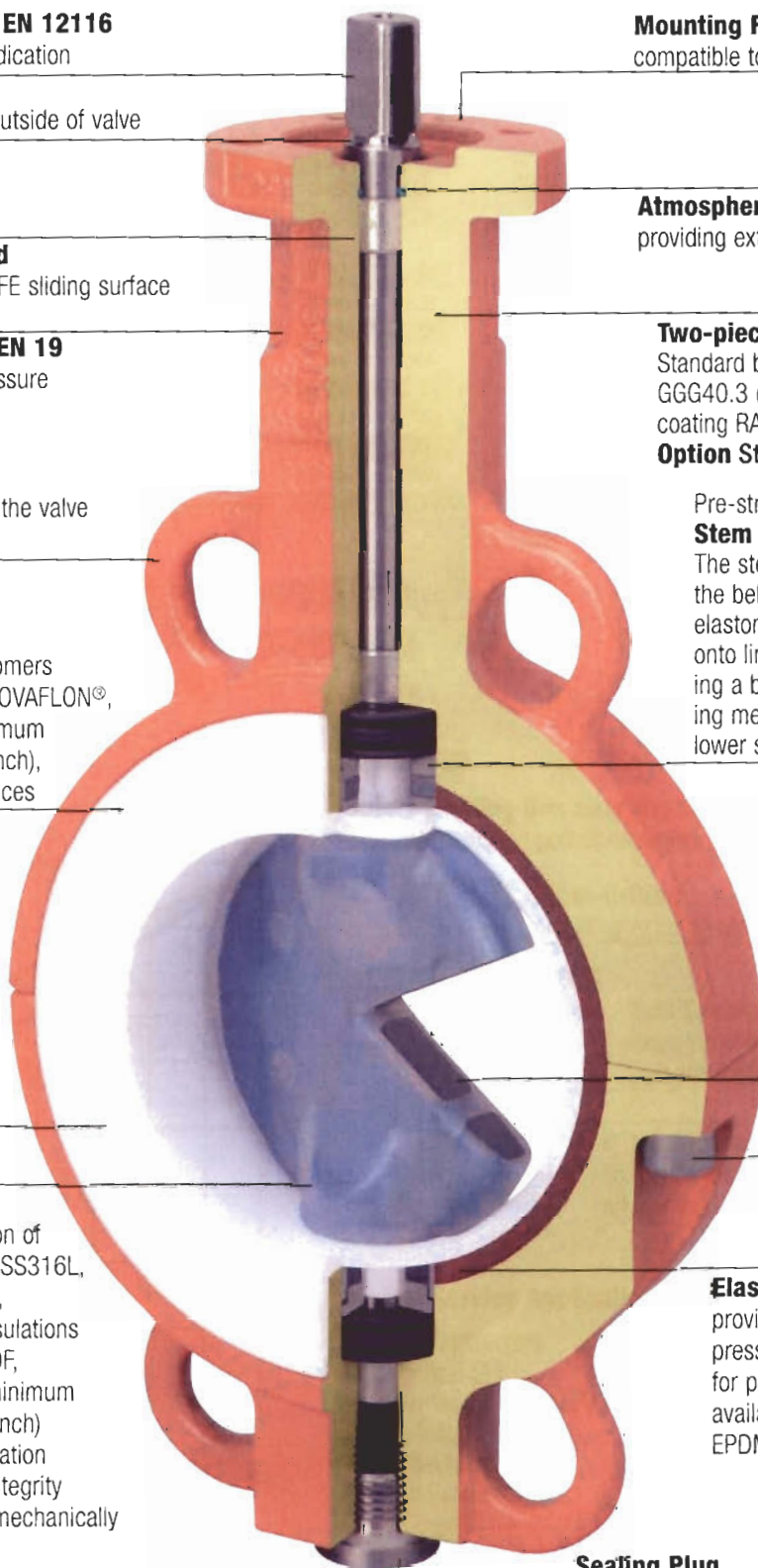
made of SS 304 (A2)

Elastomer Backings

provide a resilient and uniform pressure onto sealing surface for positive tight shut-off, available in Silicone, Viton, EPDM or Hypalon

Sealing Plug

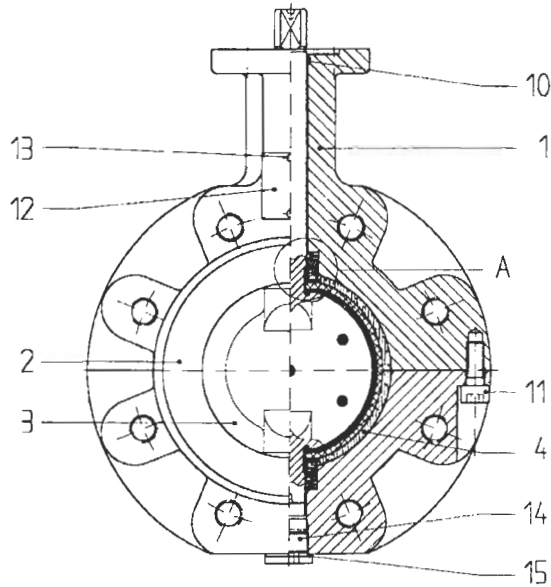
made of SS 316 (A4), with Polyamide gasket



SPHER-O-DISC® Butterfly Valves BFV-PL Series Part list

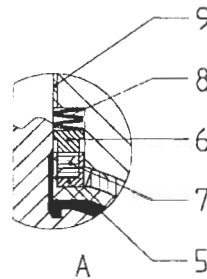
Butterfly Valve BFV-PL Lug

Standard Version DN100 PN10/16 resp. 4" ANSI 150lbs



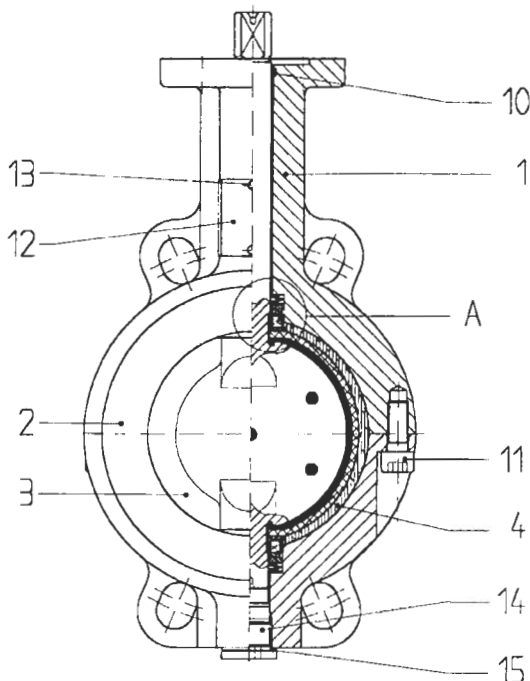
Item	Qty.	Description	Material
1	1	Body, two-piece	GGG40.3 (ASTM A395)
2	1	Liner	PTFE
3	1	core/encapsulation/stem	C.Steel/PFA/SS316L
4	1	Elastomer-Set	Silicone
5	2	Guide Ring	C.Steel galvanized
6	2	Pressure Ring	C.Steel galvanized
7	2	Sealing Ring	Silicone
8	8	Belleville Spring	Spring Steel 1.8159
9	3	Bearing	C.Steel/PTFE
10	1	O-Ring	Viton
11	2	Socketed Head Cap Screw	SS304
12	1	Name Plate	SS304
13	2	Hammer Screw	SS304
14	1	Socketed Screw Plug	SS316
15	1	Gasket	PA

Detail Stem Sealing



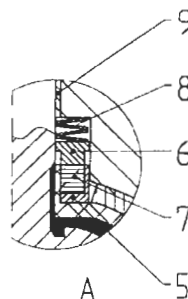
Butterfly Valve BFV-PL Wafer

Standard Version DN100 PN10/16 4" ANSI 150lbs



Item	Qty.	Description	Material
1	1	Body, two-piece	GGG40.3 (ASTM A395)
2	1	Liner	PTFE
3	1	core/encapsulation/stem	C.Steel/PFA/SS316L
4	1	Elastomer-Set	Silicone
5	2	Guide Ring	C.Steel galvanized
6	2	Pressure Ring	C.Steel galvanized
7	2	Sealing Ring	Silicone
8	8	Belleville Spring	Spring Steel 1.8159
9	3	Bearing	C.Steel/PTFE
10	1	O-Ring	Viton
11	2	Socketed Head Cap Screw	SS304
12	1	Name Plate	SS304
13	2	Hammer Screw	SS304
14	1	Socketed Screw Plug	SS316
15	1	Gasket	PA

Detail Stem Sealing



PartNo	PartDescr	Pline	UnallocSto	MU	Aantal	Size	Heat code	Original Pric	TotalValueEur	Price	Value
TE002567	TBFVPW080/16/310U B06- L78-P59-D01-S19-DD	Technova	2	ST	1	80	PBN	€ 264,99	€ 264,99	€ 53,00	€ 53,00
TE002572	TBFVPW080/16/310U B06- L79-P59-D01-S19-DD	Technova	58	ST	25	80	OKM	€ 314,53	€ 7.863,32	€ 62,91	€ 1.572,66
TE002588	TBFVPW100/16/310U B06- L78-P59-D01-S19-DD	Technova	9	ST	3	100	OKN	€ 303,69	€ 911,06	€ 60,74	€ 182,21
TE002594	TBFVPW100/16/310U B06- L79-P59-D01-S19-DD	Technova	29	ST	2	100	OKN	€ 365,04	€ 730,08	€ 73,01	€ 146,02
TE002628	TBFVPW150/16/310U B06- L78-P59-D01-S19-DD	Technova	92	ST	4	150	OLV	€ 521,92	€ 2.087,69	€ 104,38	€ 417,54
TE002653	TBFVPW200/10/210U B06- L78-P60-D21-S21-DD	Technova	15	ST	8	200	12 00	€ 945,97	€ 7.567,73	€ 189,19	€ 1.513,55
TE002690	TBFVPW250/10/210U B06- L78-P59-D21-S21-DD	Technova	3	ST	3	250		€ 1.449,23	€ 4.347,70	€ 289,85	€ 869,54
TE002706	TBFVPW300/10/210U B06- L78-P60-D03-E75-S19-DD	Technova	1	ST	1	300		€ 1.619,40	€ 1.619,40	€ 323,88	€ 323,88
TE002830	TBFVPW040/16/300U B06- L78-P59-D11-E75-S19-DD	Technova	10	ST	6	40	OAT	€ 252,33	€ 1.514,00	€ 50,47	€ 302,80
TE002868	TBFVPL080/16/300U B06- L78-P59-D11-E75-S19-DD	Technova	10	ST	3	80	OEW	€ 390,63	€ 1.171,90	€ 78,13	€ 234,38
TE002870	TBFVPL080/16/300U B06- L78-P59-D01-S19-DD	Technova	26	ST	3	80	OEX	€ 299,58	€ 898,73	€ 59,92	€ 179,75
TE002886	TBFVPL100/16/300U B06- L78-P59-D01-S19-DD	Technova	18	ST	2	100	PBV	€ 342,36	€ 684,72	€ 68,47	€ 136,94
TE002925	TBFVPL200/10/200U B06- L78-P60-D01-S19-DD	Technova	60	ST	2	200	PCT	€ 914,13	€ 1.828,26	€ 182,83	€ 365,65
TE002926	TBFVPL200 200U 10b-B06 L78 -P60-D21-S21-DD	Technova	59	ST	8	200	PCV	€ 1.151,75	€ 9.214,02	€ 230,35	€ 1.842,80
TE002927	TBFVPL200 200U 10b-B06 L78 -P59-D11-E75-S19-DD	Technova	1	ST	1	200		€ 957,95	€ 957,95	€ 191,59	€ 191,59
TE002929	TBFVPL200/10/200U B06- L78-P59-D01-S19-DD	Technova	55	ST	2	200	PCT	€ 894,24	€ 1.788,48	€ 178,85	€ 357,70
TE003084	TBFVPL080/16/010U B06- L78-P59-D01-S19-DD	Technova	37	ST	9	80	PBN	€ 334,82	€ 3.013,37	€ 66,96	€ 602,67
TE003098	TBFVPL100/16/010U B06- L78-P59-D01-S19-DD	Technova	218	ST	13	100	PCA	€ 382,65	€ 4.974,41	€ 76,53	€ 994,88
TE003132	TBFVPL200/10/010U B06- L79-P59-D01-S19-DD	Technova	42	ST	3	200	OKM	€ 695,00	€ 2.084,99	€ 139,00	€ 417,00
TE003146	TBFVPL250/10/010U B06- L78-P59-D15-S19-DD Po	Technova	1	ST	1	250		€ 1.592,90	€ 1.592,90	€ 318,58	€ 318,58
TE003147	TBFVPL250 010U B06 L78 -P59-D21-S21-DD	Technova	13	ST	3	250	PAW	€ 1.069,22	€ 3.207,67	€ 213,84	€ 641,53
TE003438	TBFVEW200/10/210U B06- L60-D01-S19-DD	Technova	15	ST	1	200	ISC-1	€ 1.048,50	€ 1.048,50	€ 209,70	€ 209,70
TE003609	TBFVEL200 200U 10b-B06 L51 -D21-S21-DD	Technova	25	ST	3	200	PDF	€ 747,59	€ 2.242,78	€ 149,52	€ 448,56
TE004723	TBFVPW100/16/310U B06- L78-P60-D03-E75-S19-DD	Technova	33	ST	9	100	OKN	€ 457,26	€ 4.115,37	€ 91,45	€ 823,07
TE004740	TBFVPL080/16/010U B06- L74-P59-D03-E73-S19-SP 5	Technova	50	ST	28	80	PBN	€ 434,46	€ 12.164,84	€ 86,89	€ 2.432,97
TE004741	TBFVPL100/16/010U B06- L74-P59-D03-E73-S19-SP5	Technova	40	ST	20	100	PCA	€ 487,86	€ 9.757,29	€ 97,57	€ 1.951,46
TE004822	TBFVPW125/16/310U B06- L78-P59-D01-S19-SP PN	Technova	1	ST	1	125		€ 436,18	€ 436,18	€ 87,24	€ 87,24
TE004878	TBFVPL300 200U 10b-B06 L78 -P59-D15-S19-DD	Technova	13	ST	1	300	OHP	€ 1.353,05	€ 1.353,05	€ 270,61	€ 270,61
TE004899	TBFVPW065/16/310U B06- L78-P59-D03-E75-S19-DD	Technova	135	ST	8	65	10 00	€ 367,72	€ 2.941,73	€ 73,54	€ 588,35
TE004916	TBFVPW300/10/210U B06- L78-P59-D21-S21-DD-6017	Technova	2	ST	1	300		€ 1.780,32	€ 1.780,32	€ 356,06	€ 356,06
TE004975	TBFVPL050/16/300U B06- L78-P60-D03-E75-S19-DD	Technova	6	ST	1	50	NKH	€ 351,16	€ 351,16	€ 70,23	€ 70,23
TE005083	TBFVPW025/16/310U B10- L78-P51-D19-S19-DD Th	Technova	1	ST	1	25		€ 202,68	€ 202,68	€ 40,54	€ 40,54
TE005226	TDPV020 16/310U B04 L75 M81 S13 HW 6017	Technova	29	ST	3	20		€ 113,66	€ 340,99	€ 22,73	€ 68,20
TE005304	TDPV025 16/300D B04 L76 M79 S13 HW 6017	Technova	1	ST	1	25		€ 133,87	€ 133,87	€ 26,77	€ 26,77
TE005356	TBFVPL200/10/010U B06- L74-P59-D03-E73-S19-SP5	Technova	40	ST	23	200	OKF	€ 1.068,87	€ 24.584,09	€ 213,77	€ 4.916,82
TE005398	TBFVPL250 200U 10b-B06 L74 -P59-D03-E75-S19-DD	Technova	3	ST	4	250		€ 1.402,67	€ 5.610,67	€ 280,53	€ 1.122,13
TE005424	TDPV050 16/300D B04 L75 M81 S13 6017Ss	Technova	13	ST	5	50		€ 344,42	€ 1.722,11	€ 68,88	€ 344,42
TE005477	TBFVPW040/16/310U B06- L78-P59-D03-E75-S19-DD	Technova	5	ST	1	40	MBO	€ 252,33	€ 252,33	€ 50,47	€ 50,47
TE005519	TBFVPW150/16/310U B06- L74-P59-E75-D03-S19-DD	Technova	1	ST	1	150		€ 678,57	€ 678,57	€ 135,71	€ 135,71
TE005530	TBFVPL040/16/300U B06- L78-P59-D03-E75-S19-DD	Technova	21	ST	2	40	OAT	€ 282,01	€ 564,01	€ 56,40	€ 112,80
TE005600	TBFVPL040/16/300U B06- L78-P59-D01-S19-DD	Technova	3	ST	2	40	OAT	€ 206,44	€ 412,88	€ 41,29	€ 82,58
TE005604	TBFVEL040 300U 16b-B06 L51 -P59-D01-S19-DD	Technova	5	ST	1	40	MBO	€ 0,00	€ 0,00	€ 0,00	€ 0,00
TE005650	TBFVPL125/16/010U B06- L78-P59-D03-E75-S19-DD	Technova	12	ST	2	125	OFW	€ 631,66	€ 1.263,33	€ 126,33	€ 252,67
TE005856	TBFVPL100/16/300U B06- L78-P60-D03-E75-S19-DD	Technova	45	ST	13	100	PBV	€ 509,25	€ 6.620,21	€ 101,85	€ 1.324,04

TE006080	TBFVPL100/16/010U B06- L78-P60-D01-S19-DD	Technova	70	ST	6	100	OLD	€ 489,85	€ 2.939,11	€ 97,97	€ 587,82
TE006084	TBFVPW250/10/210U B15- L79-P59-D22-S22-DD	Technova	4	ST	4	250		€ 1.922,91	€ 7.691,65	€ 384,58	€ 1.538,33
TE006086	TBFVPL100/16/300U B15- L78-P59-D25-S25-DD	Technova	7	ST	3	100	2353-27	€ 613,00	€ 1.839,00	€ 122,60	€ 367,80
TE006088	TBFVPW400/10/210U B06- L74-P59-D21-S21-DD				3		PGF		€ 0,00	€ 0,00	€ 0,00
TE006096	TBFVPW050/16/310U B06- L83-P59-D03-E75-S19-DD	Technova	12	ST	6	50	F11	€ 334,43	€ 2.006,56	€ 66,89	€ 401,31
TE006210	TBFVPL100/16/010U B06- L74-P60-D01-S19-DD	Technova	63	ST	2	100	PCA	€ 492,86	€ 985,72	€ 98,57	€ 197,14
TE006211	TBFVPL200/10/200U B06- L83-P60-D21-S21-DD	Technova	12	ST	4	200	PCV	€ 1.001,60	€ 4.006,38	€ 200,32	€ 801,28
TE006212	TBFVPL300/10/200U B06- L74-P60-D03-E75-S19-DD	Technova	6	ST	1	300	LKB	€ 1.542,91	€ 1.542,91	€ 308,58	€ 308,58
TE006219	TBFVPW150/16/310U B06- L78-P60-D20-S20-DD	Technova	4	ST	1	150	OLU	€ 716,77	€ 716,77	€ 143,35	€ 143,35
TE006226	TBFVPL050/16/010U B06- L79-P60-D03-E76-S19-DD	Technova	9	ST	3	50	OIA	€ 781,93	€ 2.345,79	€ 156,39	€ 469,16
TE006240	TBFVPW300/10/210U B06- L74-P59-D25-S25-DD	Technova	3	ST	3	300	OGM	€ 4.520,35	€ 13.561,05	€ 904,07	€ 2.712,21
						271					
			1448						€ 174.535,26		€ 34.907,05