



Postbus 17
 7480 AA Haaksbergen
 E-mail: ihb@ihbinternational.nl
 Web: www.ihbinternational.nl

Tel. + 31 (0)53 57 431 43
 Mob. + 31 (0)63 01 548 26
 Fax + 31 (0)84 87 266 72

BTW nr. 1014.51.556.B.02

High speed ontnester / High speed Denester / High Speed Entstapler

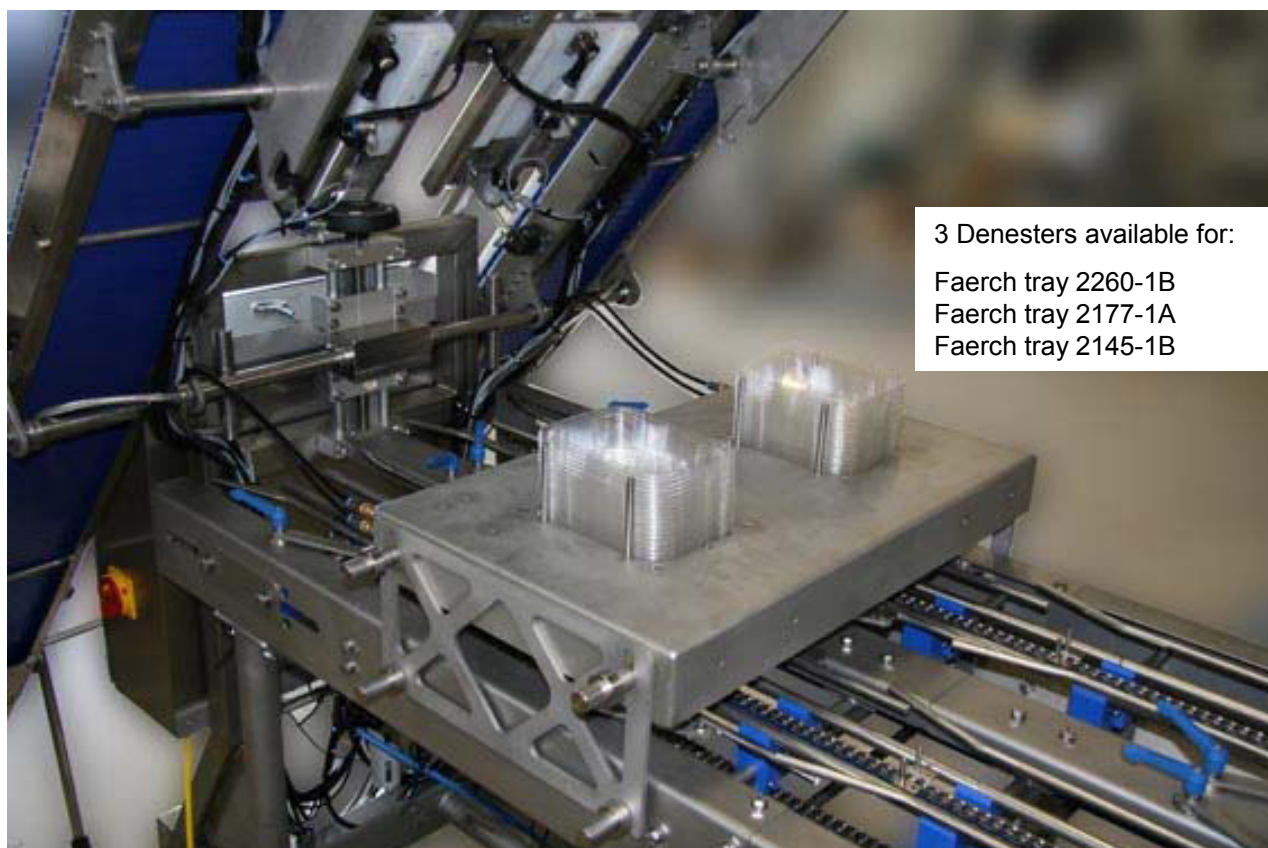
| | | | | | |
|--------------------------|---|----------------------------|----|---------------|--------------------------------------|
| € | - | prijs per stuk / each | | | |
| € | - | totaalprijs / total amount | | prijs / price | |
| code 1803-3 | | | | excl. | TRANSPORT / BTW / VAT/as is where is |
| Omschrijving/description | | CAT A | NH | | |

Wij hebben een High speed ontnester beschikbaar voor 3 verschillende tray afmetingen met transportsysteem. De machine heeft praktisch geen draaiuren.

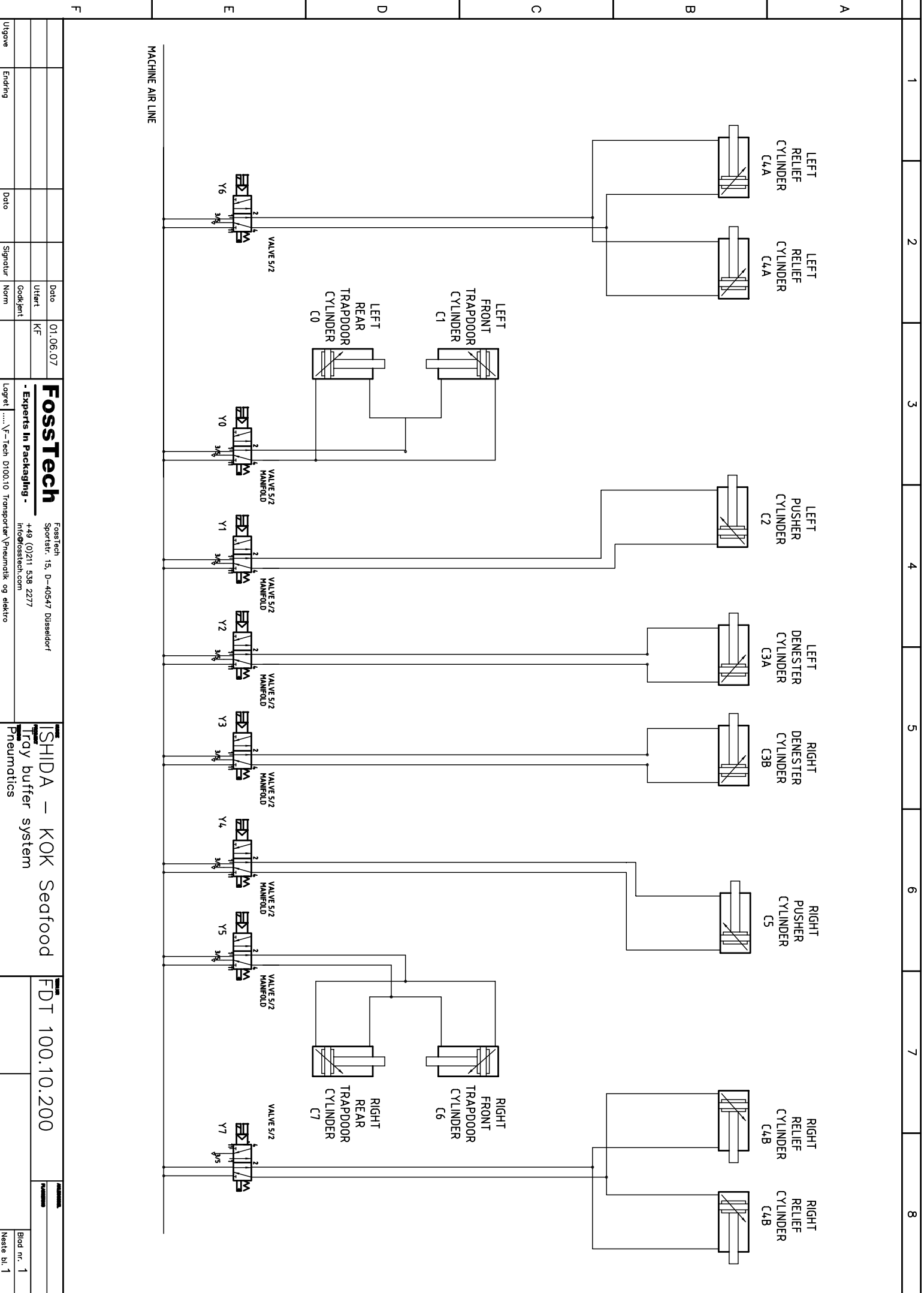
We have a High Speed Denester available for 3 different types of tray's wit conveyor system. The machine is "as new" and has only little hours.

Wir haben einen High Speed Entstapler verfügbar geeignet für drei verschiedene "tray's". Die Maschine war nieh richtig im Einsatz und so gut wie neu.

Build by Foss Tech Germany
 YOM 2007
 Documentation in English and Dutch

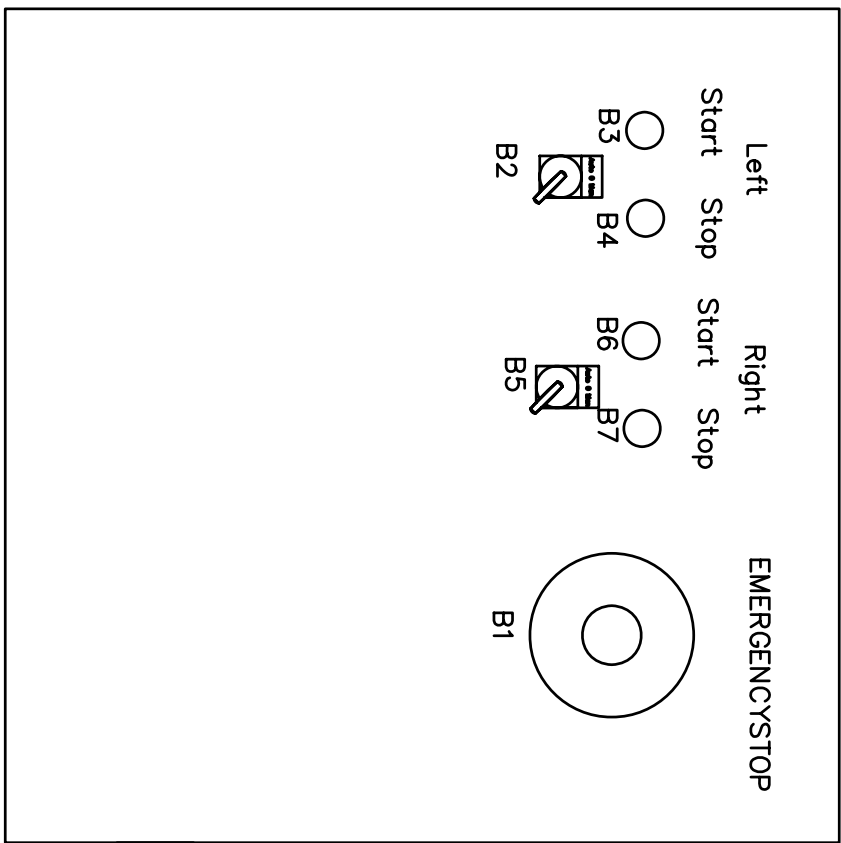
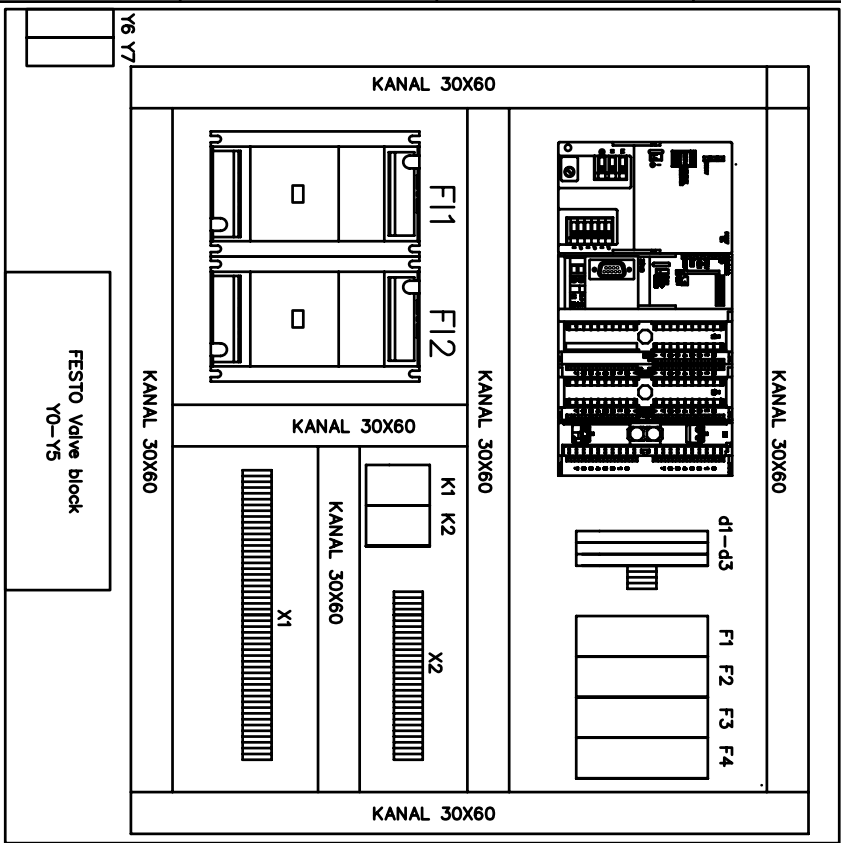


3 Denesters available for:
 Faerch tray 2260-1B
 Faerch tray 2177-1A
 Faerch tray 2145-1B



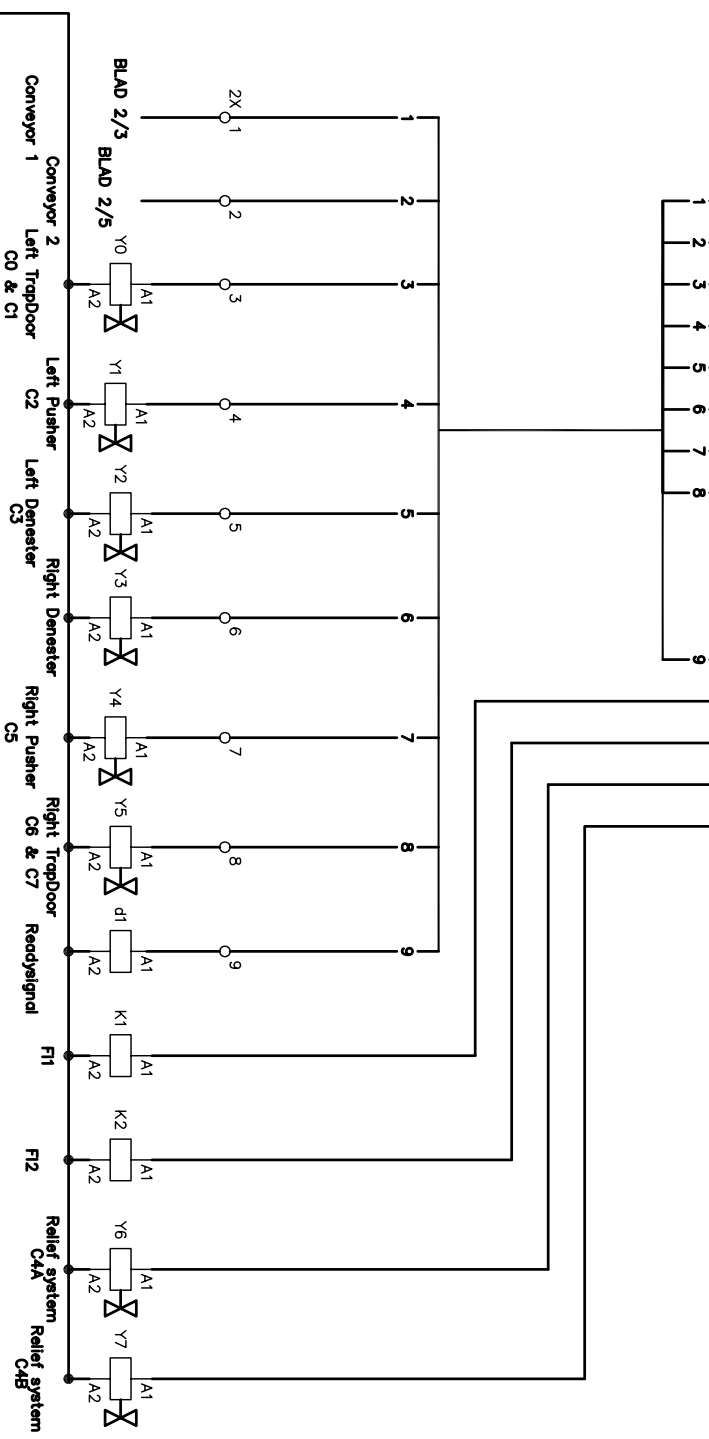
| | | | | | | | |
|---|---------|----------|----------|---|-----------|---|---|
| 1 | 2 | 3 | 4 | 5 | 6 | 7 | 8 |
| A | | | | | | | |
| B | | | | | | | |
| C | | | | | | | |
| D | | | | | | | |
| E | | | | | | | |
| F | | | | | | | |
| Utgave | Endring | Dato | Signatur | Norm | Godekjert | | |
| | | 01.06.07 | | | KF | | |
| Fosstech Sportstr. 15, D-40547 Düsseldorf +49 (0)211 538 2277 info@fosstech.com | | | | ISHIDA – KOK Seafood Tray buffer system Pneumatics | | | |
| Lagret i: \Tech D100.10 Transporter\Pneumatik og elektro | | | | FDT 100.10.200 | | | |
| | | | | Blad nr. 1 | | | |
| | | | | Næste bl. 1 | | | |

CABINET: 600X600X210.



| | | | | | | | | | | | |
|--|---------|------|----------|------|------|----------|-------|----|----------|-------------|---|
| Utgave | Endring | Dato | Signatur | Norm | Dato | 01.06.07 | Utøkt | KF | Godkjent | Lagret |\F-Tech D100.10 Transporter\Pneumatik og elektro |
| <p>Fosstech Sportstr. 15, D-40547 Düsseldorf GERMANY tel.: +49 (0)211 538 2277 info@fosstech.com</p> <p>ISHIDA - KOK Seafood Tray buffer system Cabinet plan</p> <p>FDT 100.10.201</p> | | | | | | | | | | | |
| | | | | | | | | | | Bild nr. 1 | |
| | | | | | | | | | | Heite bl. 2 | |

| | |
|--|---------------|
| DIGITALUTGANG SIMATIC S7 CPU313C DO 16 X 24 VDC/0,5A | |
| OUTPUTBYTE: 0 | OUTPUTBYTE: 1 |
| .0 | .0 |
| .1 | .1 |
| .2 | .2 |
| .3 | .3 |
| .4 | .4 |
| .5 | .5 |
| .6 | .6 |
| .7 | .7 |
| 1M | 2M |
| 2L+ | |
| 1 | 2 |
| 3 | 3 |
| 4 | 4 |
| 5 | 5 |
| 6 | 6 |
| 7 | 7 |
| 8 | 8 |
| 9 | 9 |
| 10 | 10 |
| 11 | 11 |
| 12 | 12 |
| 13 | 13 |
| 14 | 14 |
| 15 | 15 |
| 16 | 16 |
| 17 | 17 |
| 18 | 18 |
| 19 | 19 |
| 20 | 20 |



L+ M

BLAD 3/8

L+ M

BLAD 5/1

| | | | | | | | | | | | | | |
|--------|---------|------|----------|------|----------|--------|----|-----------|--------|--|---------------------|----------------|-------------|
| Utgave | Endring | Dato | Signatur | Norm | Dato | Utgart | KF | Godekjent | Lagret |\F-Tech D100.10 Transporter\Pneumatik og elektro | SHIDA – KOK Seafood | FDT 100.10.204 | Blad nr. 4 |
| | | | | | 01.06.07 | | | | | | Tray buffer system | | Neste bl. 5 |

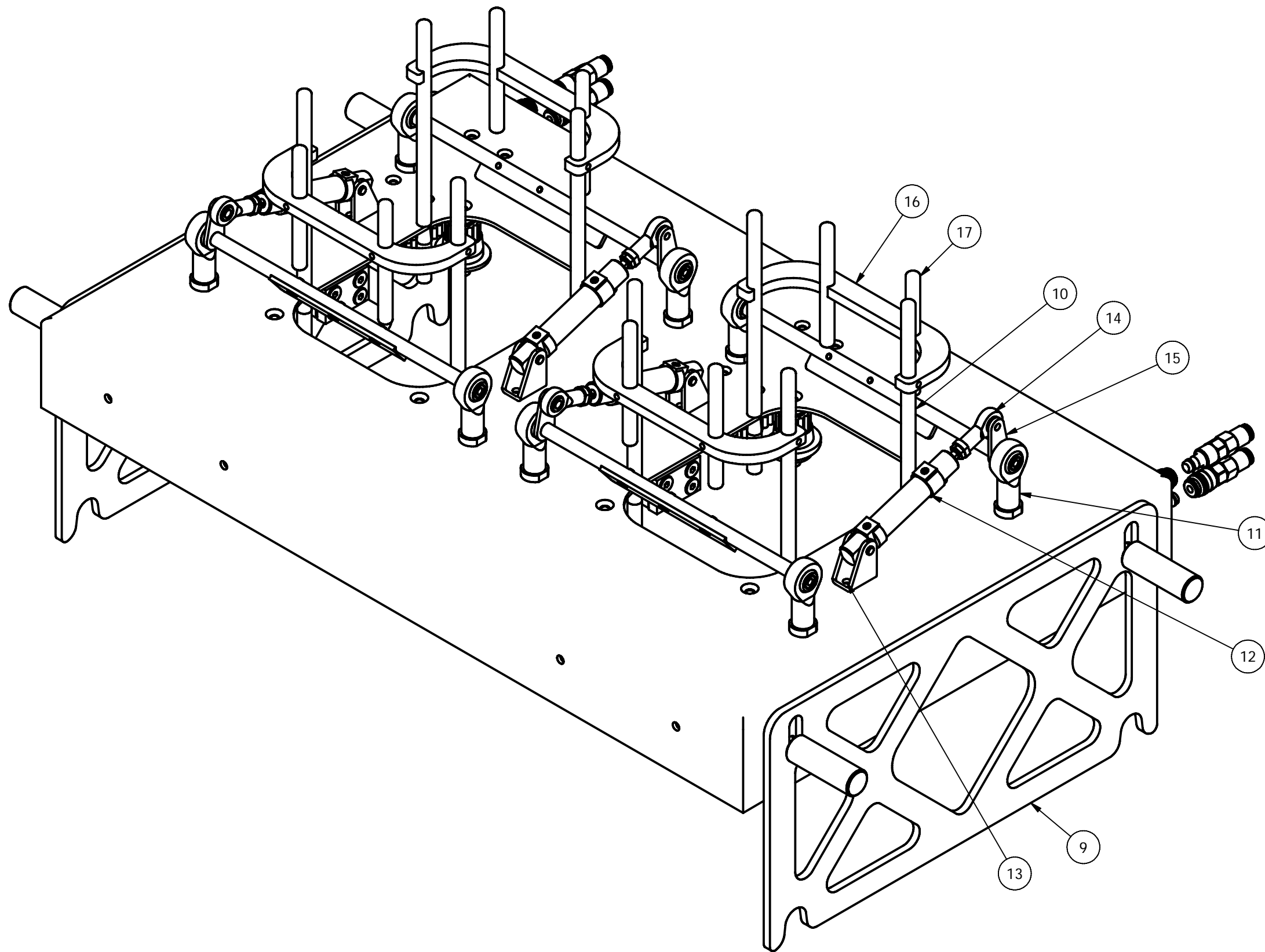
Fosstech
 Sportstr. 15, D-40547 Düsseldorf
 Germany
 tel.: +49 (0)211 538 2277
 info@fosstech.com

Experts In Packaging -

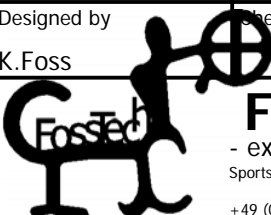
SHIDA – KOK Seafood
 Tray buffer system
 Digital outputs

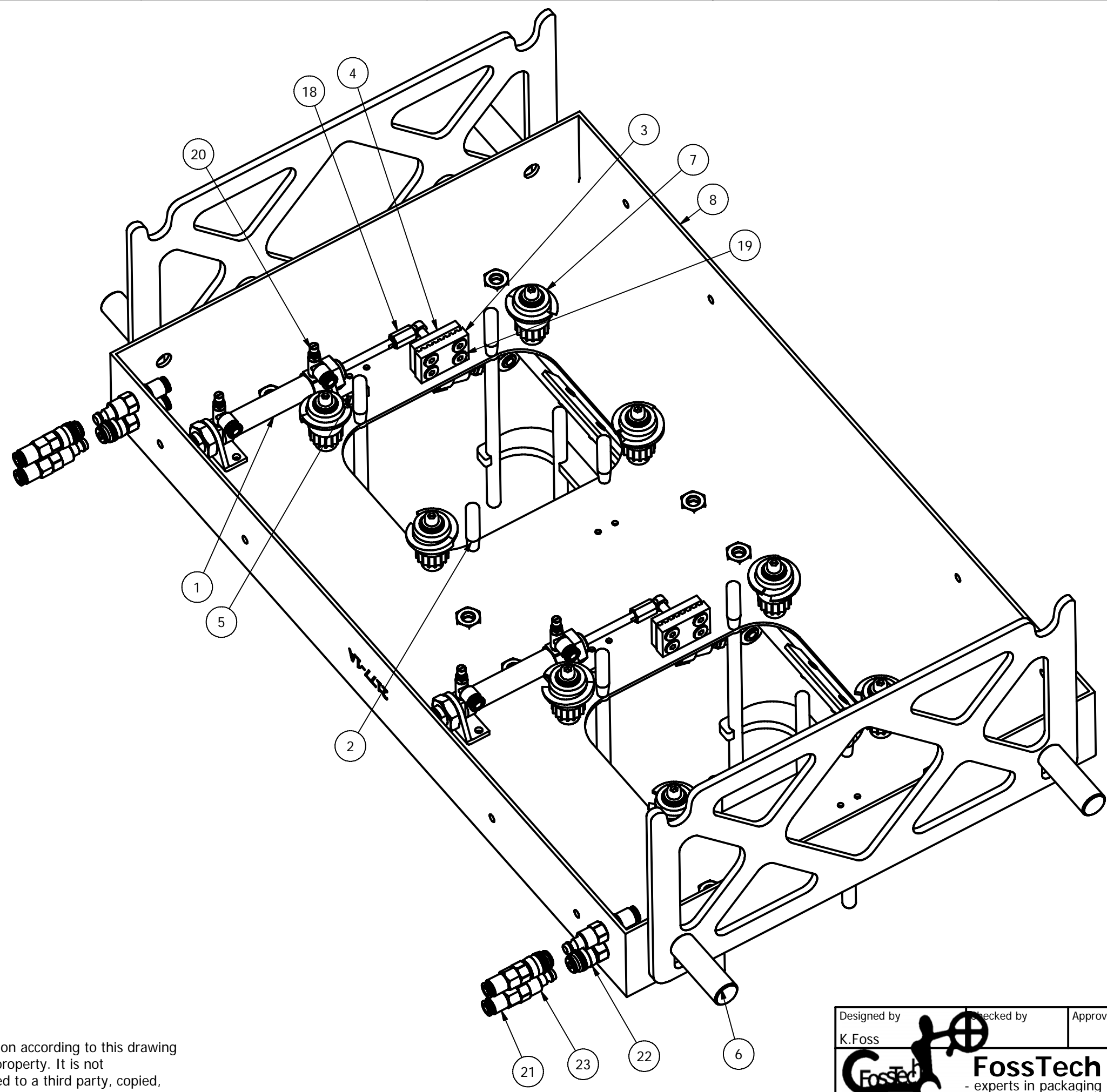
FDT 100.10.204

Blad nr. 4
 Neste bl. 5

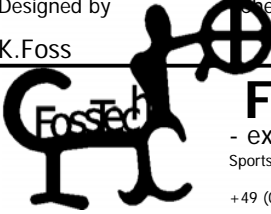


The construction according to this drawing is FossTechs property. It is not to be submitted to a third party, copied, reproduced or exploited in any other way

| | | | | | |
|---|------------|-------------|--------------------------------|------------|---------------------------|
| Designed by K.Foss | Checked by | Approved by | Date | Date | |
| | | | | 13.02.2008 | |
|  FossTech - experts in packaging - Sportstrasse 15, D-40547 Düsseldorf +49 (0)211 538 2277 - info@fosstech.com | | | FTD100.05.100 2177-1A Assembly | | Edition Sheet 1 / 3 |





The construction according to this drawing is FossTechs property. It is not to be submitted to a third party, copied, reproduced or exploited in any other way

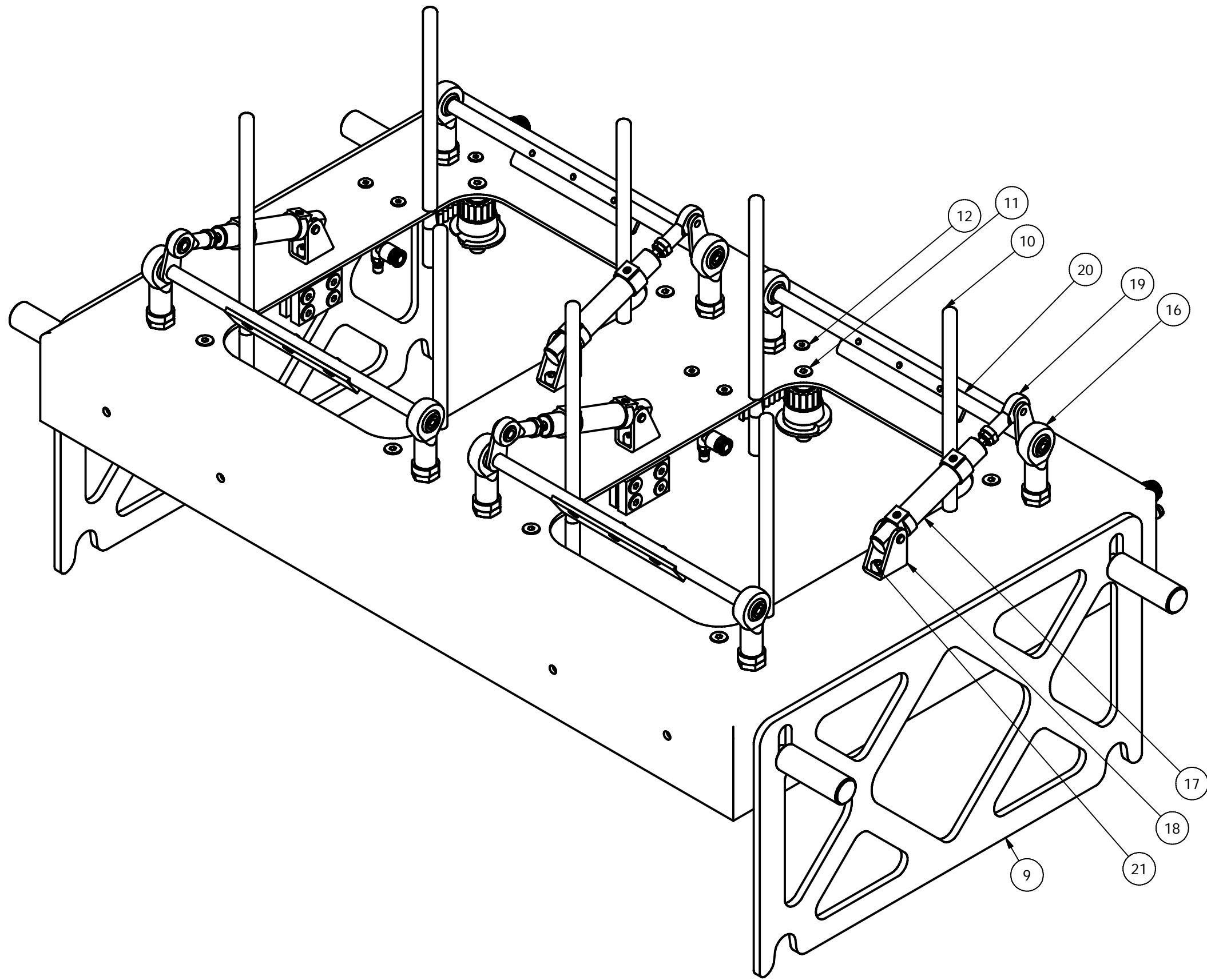
| | | | | | |
|---|------------|-------------|--------------------------------|------------|----------------|
| Designed by K.Foss | Checked by | Approved by | Date | Date | |
| | | | | 13.02.2008 | |
|  FossTech - experts in packaging - Sportstrasse 15, D-40547 Düsseldorf +49 (0)211 538 2277 - info@fosstech.com | | | FTD100.05.100 2177-1A Assembly | | Edition |
| | | | | | Sheet 2 / 3 |

Parts List

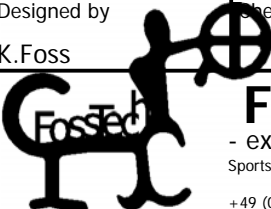
| ITEM | QTY | PART NUMBER | DESCRIPTION | MATERIAL | MASS |
|------|-----|----------------------|---------------------------------------|--------------------|----------|
| 1 | 2 | 27035082 | Zylinder/Cylinder | | 0,059 kg |
| 2 | 8 | FTD100.02.07 | Styrebolt/Ausführbolt/Guiding bolt | Aluminium | 0,009 kg |
| 3 | 2 | 27070008 | Klemmverbinder/Toothed Belt Conn. | Aluminium | 0,019 kg |
| 4 | 2 | FTD100.02.09 | Zylinderbefestigung/Cylinder bracket | Stainless Steel | 0,050 kg |
| 5 | 2 | 27070009 | Zahnriem/Toothed belt | Nylatron | 0,001 kg |
| 6 | 4 | FTD100.02.04 | Bearing bolt | Stainless Steel | 0,138 kg |
| 7 | 8 | FTD100.05.75 | 2177-1A Skilleskrue | | 0,074 kg |
| 8 | 1 | FTD100.05.25 | 2177-1A Ramme/Rahme/Frame | Stainless Steel | 9,275 kg |
| 9 | 2 | FDT100.05.26 | 2177-1A Support Plate | | 1,869 kg |
| 10 | 8 | FTD100.02.10 | Upper Tray guides | Stainless Steel | 0,109 kg |
| 11 | 8 | 27035104 | Gelenkkopf/Cylinder head | | 0,090 kg |
| 12 | 4 | 27035008 | Cylinder 16/15 | | 0,179 kg |
| 13 | 4 | 27035100 | Cylinder bracket | | 0,040 kg |
| 14 | 4 | 27035086 | Gelenkkopf/Cylinder head | | 0,004 kg |
| 15 | 4 | FTD100.07.36 | 2145-1B Relief shaft | | 0,229 kg |
| 16 | 4 | FTD100.05.39 2177-1A | Plate for upper guides | Stainless Steel | 0,231 kg |
| 17 | 8 | FTD100.02.13 | Upper Tray guides 100mm | Stainless Steel | 0,063 kg |
| 18 | 2 | FTD100.02.78 | Zylinderkopf/Cylinder head | Stainless Steel | 0,017 kg |
| 19 | 8 | ISO 10642 - M6 x 16 | Hexagon Socket Countersunk Head Screw | Steel, Mild | 0,004 kg |
| 20 | 4 | 27035083 | Drossel R. Vent/Speed valve | Aluminium | 0,003 kg |
| 21 | 8 | 27035105 | Steckverschraubung/Hose Conn. | Brass, Chromed | 0,023 kg |
| 22 | 4 | 27035106 | Kupplungsdose/Female Conn. | Brass, Soft Yellow | 0,040 kg |
| 23 | 4 | 27035107 | Kupplungsstecker/Male Conn. | Brass, Soft Yellow | 0,030 kg |

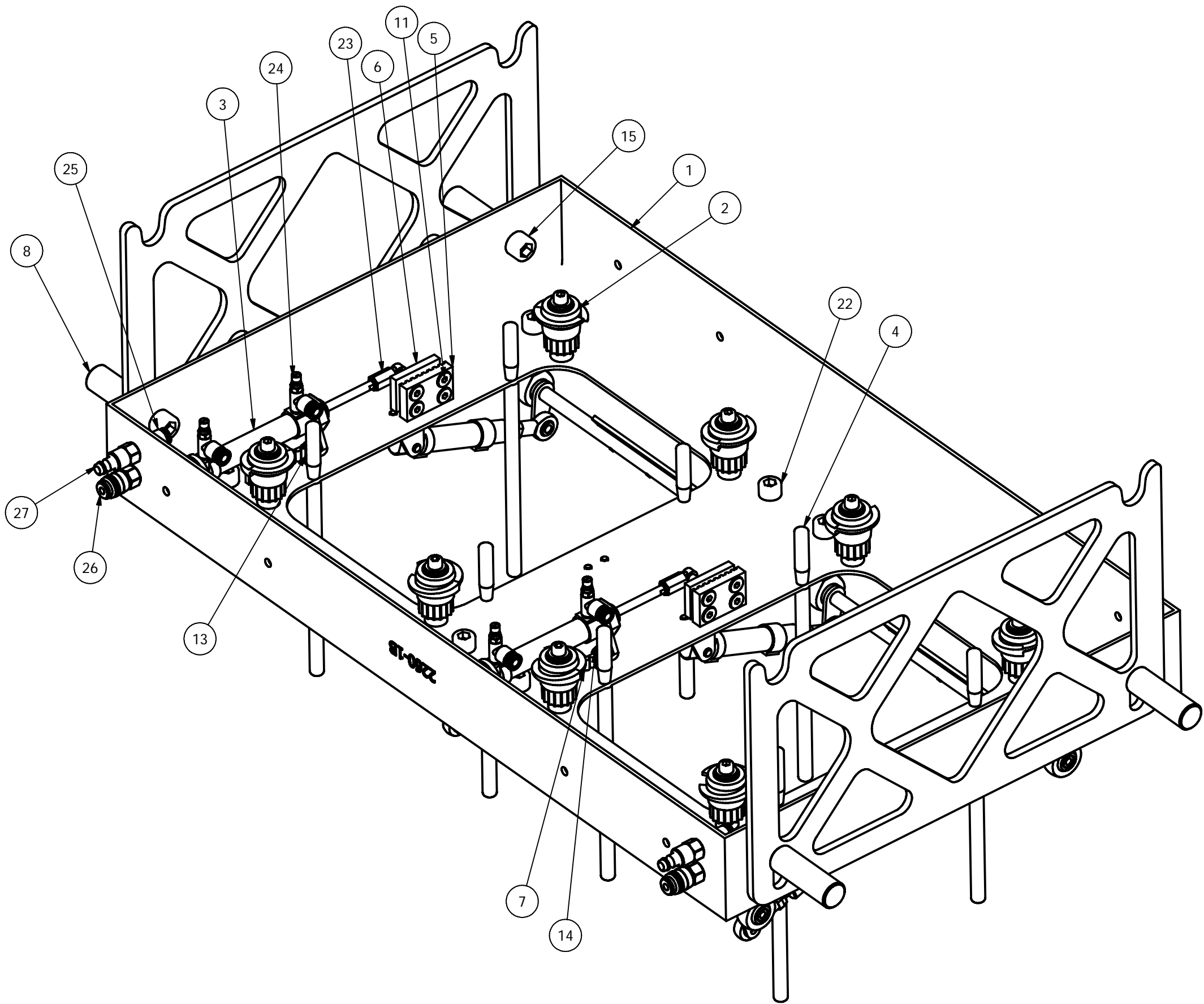
The construction according to this drawing is FossTechs property. It is not to be submitted to a third party, copied, reproduced or exploited in any other way

| | | | | | |
|---|---|--------------------------------|------|---------|----------------|
| Designed by K.Foss | Checked by  | Approved by | Date | Date | |
|  FossTech - experts in packaging - Sportstrasse 15, D-40547 Düsseldorf +49 (0)211 538 2277 - info@fosstech.com | | FTD100.05.100 2177-1A Assembly | | Edition | Sheet 3 / 3 |

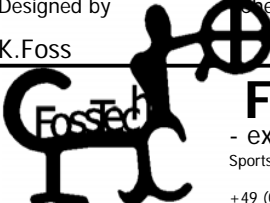


The construction according to this drawing is FossTechs property. It is not to be submitted to a third party, copied, reproduced or exploited in any other way

| | | | | | |
|---|------------|-------------|--------------------------------|------------|---------------------------|
| Designed by K.Foss | Checked by | Approved by | Date | Date | |
| | | | | 12.02.2008 | |
|  FossTech - experts in packaging - Sportstrasse 15, D-40547 Düsseldorf +49 (0)211 538 2277 - info@fosstech.com | | | FTD100.04.100 2260-1B Assembly | | Edition Sheet 1 / 3 |



The construction according to this drawing is FossTechs property. It is not to be submitted to a third party, copied, reproduced or exploited in any other way



| | | | | | |
|---|------------|-------------|--------------------------------|------------|----------------|
| Designed by K.Foss | Checked by | Approved by | Date | Date | |
| | | | | 12.02.2008 | |
|  FossTech - experts in packaging - Sportstrasse 15, D-40547 Düsseldorf +49 (0)211 538 2277 - info@fosstech.com | | | FTD100.04.100 2260-1B Assembly | | Edition |
| | | | | | Sheet 2 / 3 |

↓

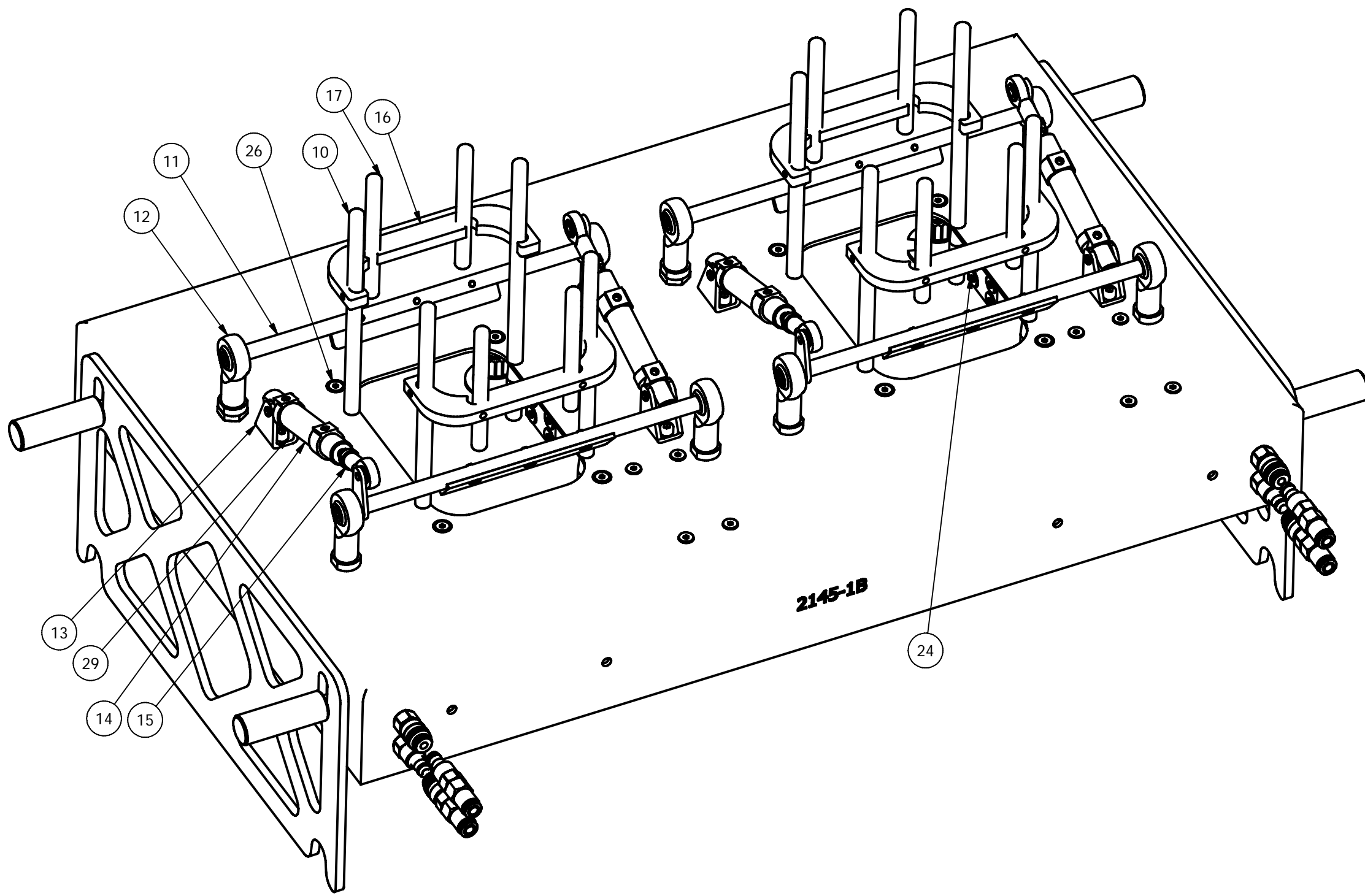
Parts List

| POS | QTY | PART NUMBER | DESCRIPTION | MATERIAL | MASS |
|-----|-----|--------------------------|---------------------------------------|--------------------|----------|
| 1 | 1 | FTD100.04.25 | 2260-1B Ramme/Rahme/Frame | Stainless Steel | 8,175 kg |
| 2 | 8 | FTD100.02.75 | Separator/Separating Device | | 0,076 kg |
| 3 | 2 | 27035082 | Zylinder/Cylinder | | 0,059 kg |
| 4 | 8 | FTD100.02.07 | Styrbolt/Ausführbolt/Guiding bolt | Aluminium | 0,009 kg |
| 5 | 2 | 27070008 | Klemmverbinder/Toothed belt Conn. | Aluminium | 0,019 kg |
| 6 | 2 | FTD100.02.09 | Zylinderbefestigung/Cylinder bracket | Stainless Steel | 0,050 kg |
| 7 | 2 | 27070009 | Zahnriem/Toothed belt | Nylatron | 0,001 kg |
| 8 | 4 | FTD100.02.04 | Bearing bolt | Stainless Steel | 0,138 kg |
| 9 | 2 | FDT100.04.26 | 2260-1B SupportPlate | Stainless Steel | 1,928 kg |
| 10 | 8 | FTD100.02.10 | Upper Tray guides | Stainless Steel | 0,109 kg |
| 11 | 16 | ISO 10642 - M6 x 16 | Hexagon Socket Countersunk Head Screw | Stainless Steel | 0,004 kg |
| 12 | 8 | ISO 10642 - M5 x 16 | Hexagon Socket Countersunk Head Screw | Stainless Steel | 0,003 kg |
| 13 | 8 | ISO 7092 - ST 5 - 140 HV | Washer | Stainless Steel | 0,000 kg |
| 14 | 8 | ISO 4032 - M5 | Hexagon nut | Stainless Steel | 0,002 kg |
| 15 | 4 | ISO 4762 - M12 x 25 | Hexagon Socket Head Cap Screw | Stainless Steel | 0,041 kg |
| 16 | 8 | 27035104 | Gelenkkopf/Cylinder head | Stainless Steel | 0,090 kg |
| 17 | 4 | 27035008 | Cylinder 16/15 | | 0,179 kg |
| 18 | 4 | 27035100 | Cylinder bracket | Stainless Steel | 0,040 kg |
| 19 | 4 | 27035086 | Gelenkkopf/Cylinder head | Stainless Steel | 0,004 kg |
| 20 | 4 | FTD100.07.36 | 2145-1B Relief shaft | Stainless Steel | 0,229 kg |
| 21 | 8 | ISO 4762 - M5 x 8 | Hexagon Socket Head Cap Screw | Stainless Steel | 0,003 kg |
| 22 | 8 | ISO 4762 - M10 x 16 | Hexagon Socket Head Cap Screw | Stainless Steel | 0,023 kg |
| 23 | 2 | FTD100.02.78 | Zylinderkopf/Cylinder head | Stainless Steel | 0,017 kg |
| 24 | 4 | 27035083 | Drossel R. Vent/Speed valve | Aluminium | 0,003 kg |
| 25 | 4 | 27035105 | Steckverschraubung/Hose Conn. | Brass, Chromed | 0,023 kg |
| 26 | 2 | 27035106 | Kupplungsdose/Female Conn. | Brass, Soft Yellow | 0,040 kg |
| 27 | 2 | 27035107 | Kupplungsstecker/Male Conn. | Brass, Soft Yellow | 0,030 kg |

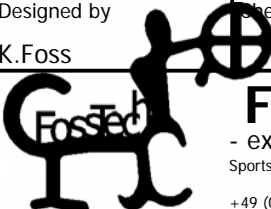
The construction according to this drawing is FossTechs property. It is not to be submitted to a third party, copied, reproduced or exploited in any other way

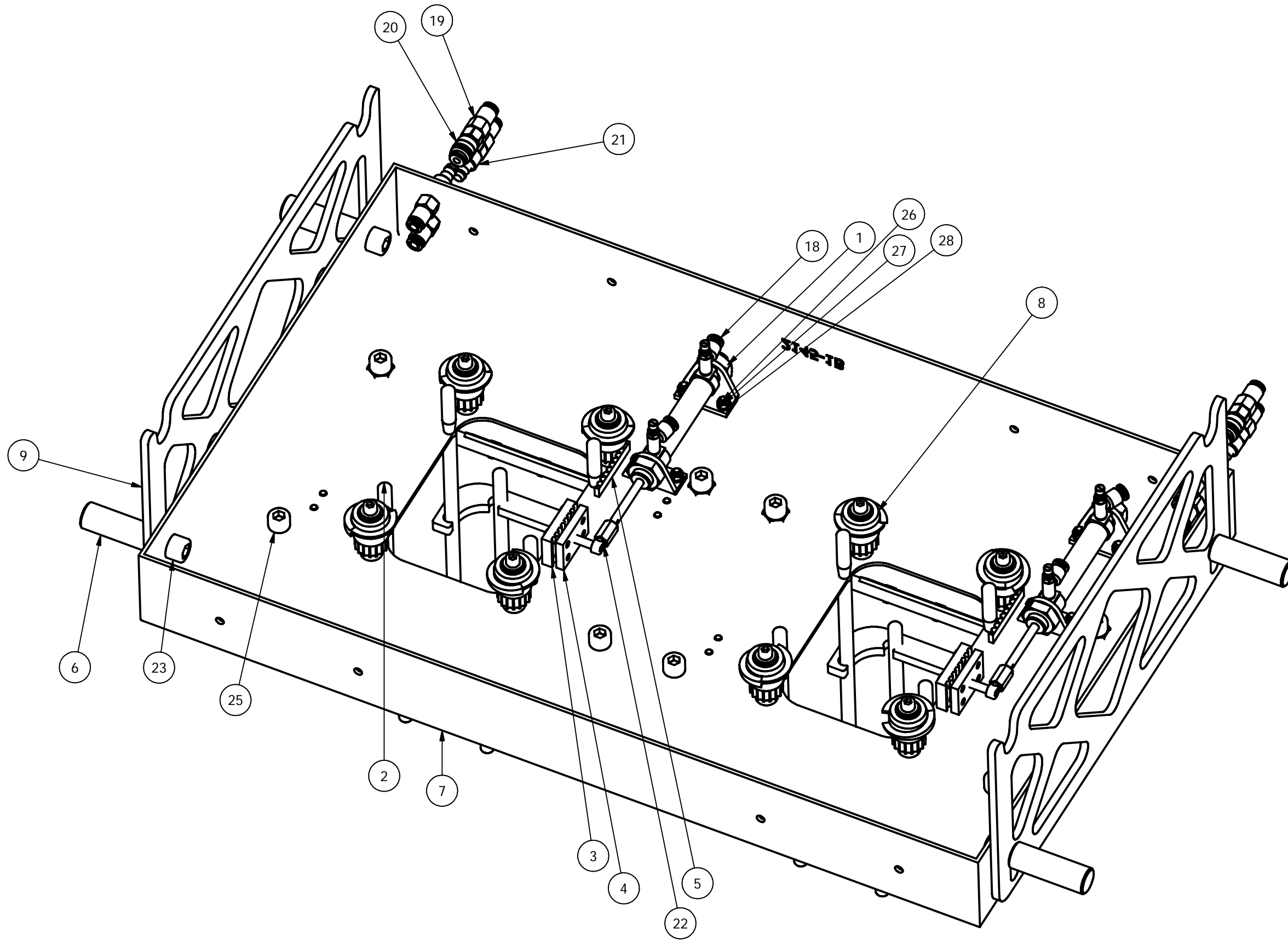
| | | | | | |
|---|---|--------------------------------|------|--------------------|----------------|
| Designed by K.Foss | Checked by  | Approved by | Date | Date 12.02.2008 | |
|  FossTech - experts in packaging - Sportstrasse 15, D-40547 Düsseldorf +49 (0)211 538 2277 - info@fosstech.com | | FTD100.04.100 2260-1B Assembly | | Edition | Sheet 3 / 3 |

↑

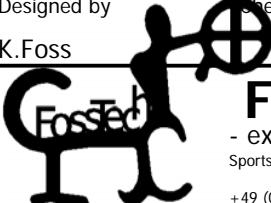


The construction according to this drawing is FossTechs property. It is not to be submitted to a third party, copied, reproduced or exploited in any other way

| | | | | |
|---|------------|---|------|---------------------------|
| Designed by K.Foss | Checked by | Approved by | Date | Date 14.02.2008 |
|  | | FossTech - experts in packaging - Sportstrasse 15, D-40547 Düsseldorf +49 (0)211 538 2277 - info@fosstech.com | | Edition Sheet 1 / 3 |
| FTD100.07.100 2145-1B Assembly | | | | |





The construction according to this drawing is FossTechs property. It is not to be submitted to a third party, copied, reproduced or exploited in any other way

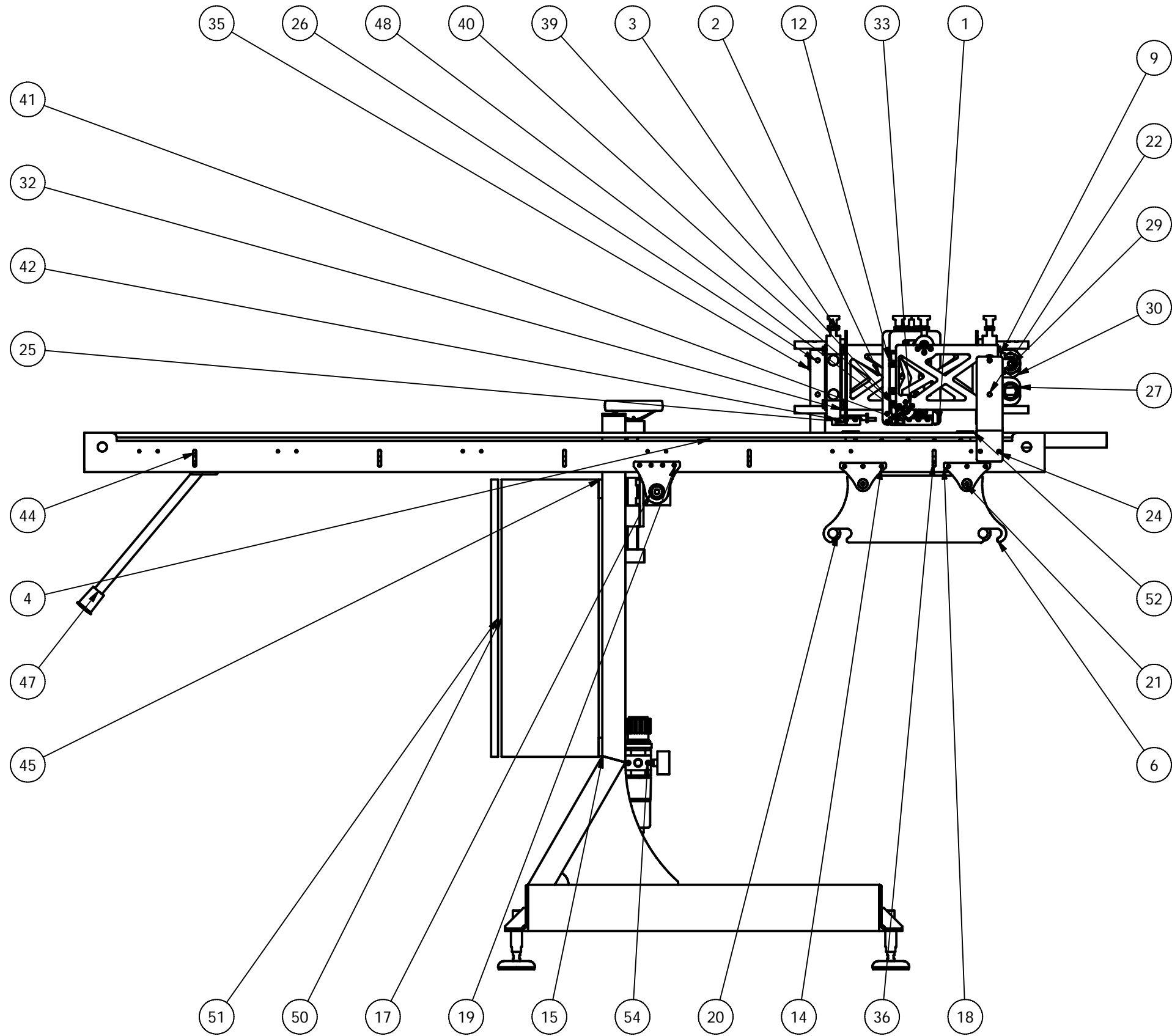
| | | | | | |
|---|------------|-------------|--------------------------------|------------|---------------------------|
| Designed by K.Foss | Checked by | Approved by | Date | Date | |
| | | | | 14.02.2008 | |
|  FossTech - experts in packaging - Sportstrasse 15, D-40547 Düsseldorf +49 (0)211 538 2277 - info@fosstech.com | | | FTD100.07.100 2145-1B Assembly | | Edition Sheet 2 / 3 |

Parts List

| ITEM | QTY | PART NUMBER | DESCRIPTION | MATERIAL | MASS |
|------|-----|--------------------------|---------------------------------------|--------------------|----------|
| 1 | 2 | 27035082 | Zylinder/Cylinder | | 0,059 kg |
| 2 | 8 | FTD100.02.07 | Styrbolt/Ausführbolt/Guiding bolt | Aluminium | 0,009 kg |
| 3 | 2 | 27070008 | Klemmverbinder/Toothed belt conn. | Aluminium | 0,019 kg |
| 4 | 2 | FTD100.02.09 | Zylinderbefestigung/Cylinder head | Stainless Steel | 0,050 kg |
| 5 | 2 | 27070009 | Zahnriem/Toothed belt | Nylatron | 0,001 kg |
| 6 | 4 | FTD100.02.04 | Bearing bolt | Stainless Steel | 0,138 kg |
| 7 | 1 | FTD100.07.25 | 2145-1B Ramme/Rahme/Frame | Stainless Steel | 9,707 kg |
| 8 | 8 | FTD100.07.75 | 2145-1B Skilleskrue | | 0,075 kg |
| 9 | 2 | FTD100.07.26 | 2145-1B Support plate | Stainless Steel | 1,776 kg |
| 10 | 8 | FTD100.02.10 | Upper Tray guides | Stainless Steel | 0,109 kg |
| 11 | 4 | FTD100.07.36 | 2145-1B Relief shaft | Stainless Steel | 0,229 kg |
| 12 | 8 | 27035104 | Gelenkkopf/Cylinder head | Stainless Steel | 0,090 kg |
| 13 | 4 | 27035100 | Cylinder bracket | Stainless Steel | 0,040 kg |
| 14 | 4 | 27035008 | Cylinder 16/15 | | 0,179 kg |
| 15 | 4 | 27035086 | Gelenkkopf/Cylinder head | Stainless Steel | 0,004 kg |
| 16 | 4 | FTD100.07.39 2145-1B | Plate for upper guides | Stainless Steel | 0,185 kg |
| 17 | 8 | FTD100.02.13 | Upper Tray guides 100mm | Stainless Steel | 0,063 kg |
| 18 | 4 | 27035083 | Drossel R. Vent/Speed valve | Aluminium | 0,003 kg |
| 19 | 8 | 27035105 | Steckverschraubung/Hose Conn. | Brass, Chromed | 0,023 kg |
| 20 | 4 | 27035106 | Kupplungsdose/Female Conn. | Brass, Soft Yellow | 0,040 kg |
| 21 | 4 | 27035107 | Kupplungsstecker/Male conn. | Brass, Soft Yellow | 0,030 kg |
| 22 | 2 | FTD100.02.78 | Zylinderkopf/Cylinder head | Stainless Steel | 0,017 kg |
| 23 | 4 | ISO 4762 - M12 x 25 | Hexagon Socket Head Cap Screw | Stainless Steel | 0,041 kg |
| 24 | 8 | ISO 10642 - M6 x 16 | Hexagon Socket Countersunk Head Screw | Stainless Steel | 0,004 kg |
| 25 | 8 | ISO 4762 - M10 x 16 | Hexagon Socket Head Cap Screw | Stainless Steel | 0,023 kg |
| 26 | 16 | ISO 10642 - M5 x 16 | Hexagon Socket Countersunk Head Screw | Stainless Steel | 0,003 kg |
| 27 | 8 | ISO 4032 - M5 | Hexagon nut | Stainless Steel | 0,002 kg |
| 28 | 8 | ISO 7092 - ST 5 - 140 HV | Washer | Stainless Steel | 0,000 kg |
| 29 | 8 | ISO 4762 - M5 x 8 | Hexagon Socket Head Cap Screw | Stainless Steel | 0,003 kg |

The construction according to this drawing is FossTechs property. It is not to be submitted to a third party, copied, reproduced or exploited in any other way

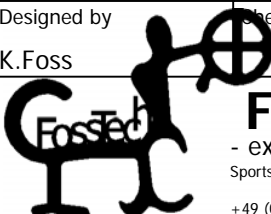
| | | | | |
|---|---|--------------------------------|--------------------|---------------------------|
| Designed by K.Foss | Checked by  | Approved by | Date 14.02.2008 | |
|  FossTech - experts in packaging - Sportstrasse 15, D-40547 Düsseldorf +49 (0)211 538 2277 - info@fosstech.com | | FTD100.07.100 2145-1B Assembly | | Edition Sheet 3 / 3 |

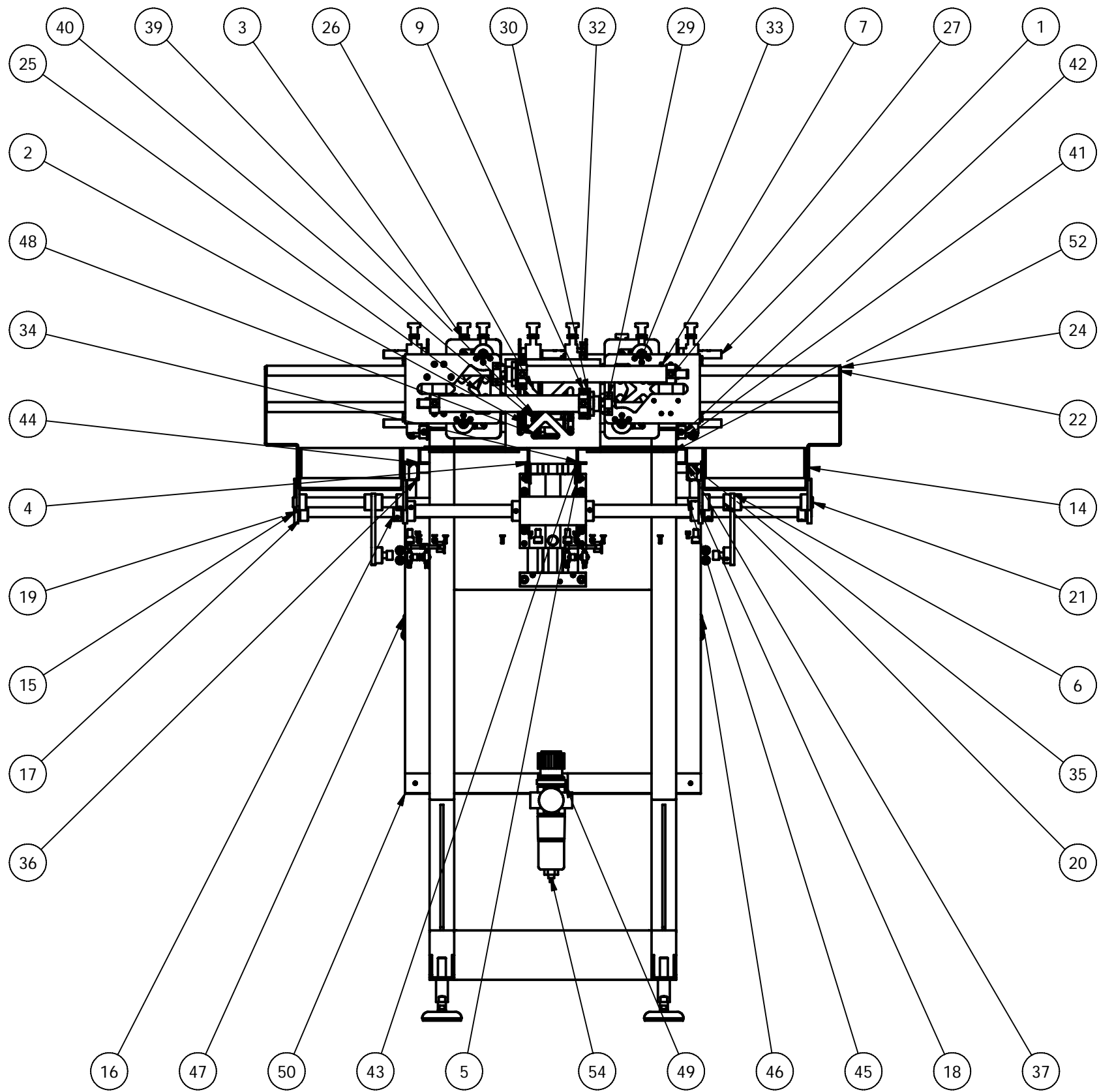


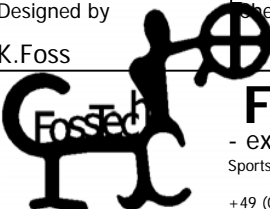
NO SHARP EDGES.
All edges to be rounded/Chamfered

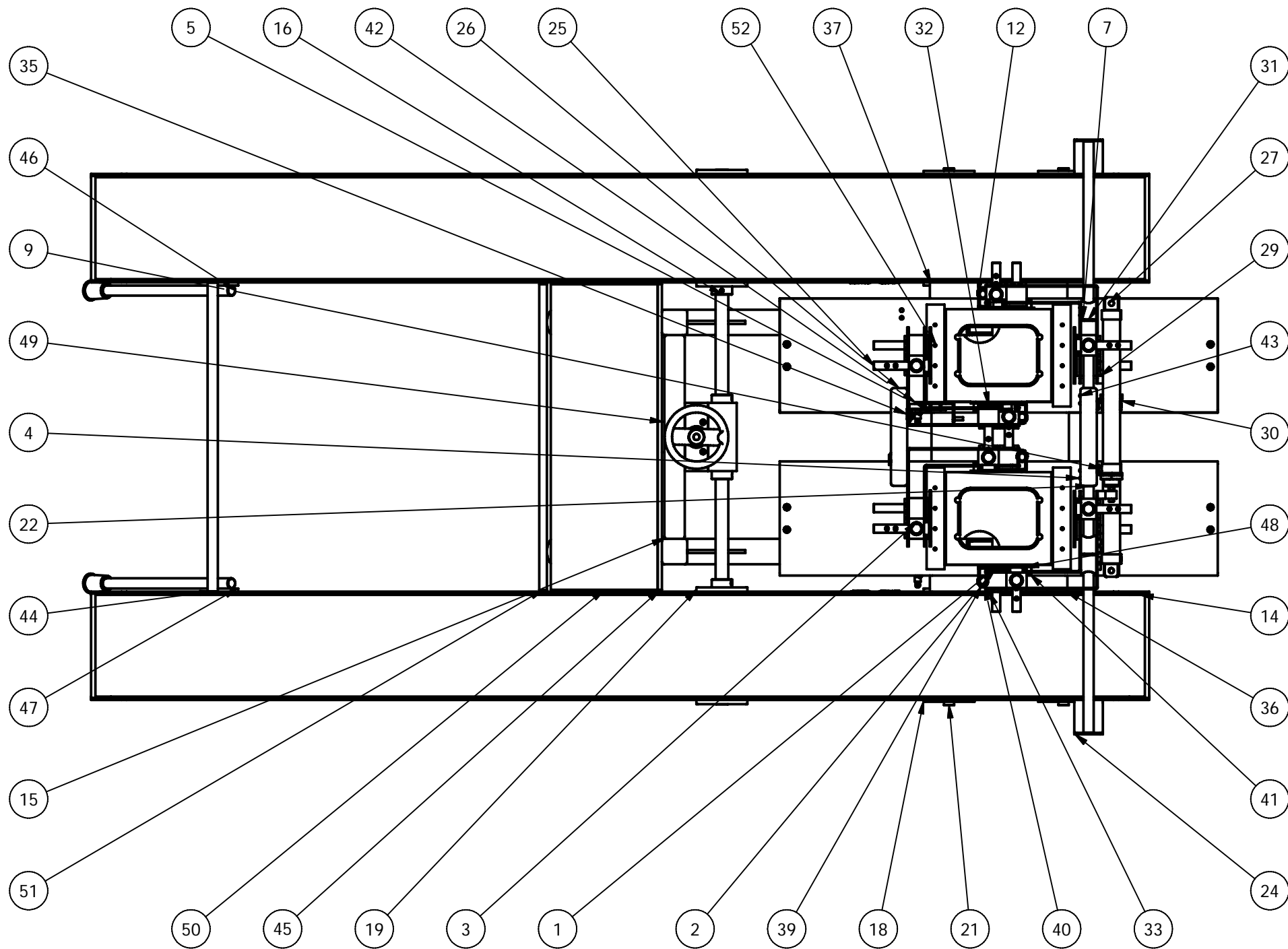
Finish: Scotch-Brite

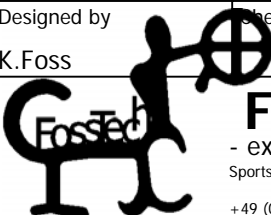
The construction according to this drawing is FossTechs property. It is not to be submitted to a third party, copied, reproduced or exploited in any other way

| | | | | |
|---|------------|-------------|----------------------------------|--------------------|
| Designed by K.Foss | Checked by | Approved by | Date | Date 17.04.2007 |
|  FossTech - experts in packaging - Sportstrasse 15, D-40547 Dusseldorf +49 (0)211 538 2277 - info@fosstech.com | | | FTD 100.10.100 Assembly conveyor | |
| | | | Edition | Sheet 1 / 4 |



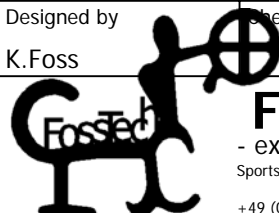

| | | | | |
|--|------------|-------------|----------------------------------|--------------------|
| Designed by K.Foss | Checked by | Approved by | Date | Date 17.04.2007 |
|  FosTech - experts in packaging - Sportstrasse 15, D-40547 Düsseldorf +49 (0)211 538 2277 - info@fosstech.com | | | FTD 100.10.100 Assembly conveyor | |
| | | | Edition | Sheet 2 / 4 |



| | | | | |
|--|------------|-------------|----------------------------------|--------------------|
| Designed by K.Foss | Checked by | Approved by | Date | Date 17.04.2007 |
|  FosTech - experts in packaging - Sportstrasse 15, D-40547 Düsseldorf +49 (0)211 538 2277 - info@fosstech.com | | | FTD 100.10.100 Assembly conveyor | |
| | | | Edition | Sheet 3 / 4 |

Parts List

| POS | QTY | PART NUMBER | DESCRIPTION | MATERIAL | MASS |
|-----|-----|--------------------|-------------------------------|-----------------------------------|-----------|
| 1 | 4 | FTD 100.10.20 | Y-Direction | | 0,621 kg |
| 2 | 4 | FTD 100.10.10 | XY-Direction | | 2,606 kg |
| 3 | 8 | 2770306 | Rastbolzen | Stainless Steel 1.4301 (AISI 304) | 0,080 kg |
| 4 | 2 | FTD 100.10.13 | Trapdoor guide | Stainless Steel 1.4301 (AISI 304) | 5,274 kg |
| 5 | 1 | FTD 100.10.14 | Support | Stainless Steel 1.4301 (AISI 304) | 1,303 kg |
| 6 | 2 | FTD 100.10.15 | Conveyor supportplate | Stainless Steel 1.4301 (AISI 304) | 2,904 kg |
| 7 | 8 | FTD 100.10.16A | Linear Bearing Guides | Stainless Steel 1.4301 (AISI 304) | 0,164 kg |
| 8 | 16 | 27020015 | Plastic bearing | Polyaryletherketone Resin | 0,001 kg |
| 9 | 12 | ISO 4762 - M6 x 10 | Hexagon Cap Screw | Stainless Steel | 0,005 kg |
| 10 | 4 | FTD 100.10.17 | Cylinder bracket | Stainless Steel 1.4301 (AISI 304) | 0,108 kg |
| 11 | 8 | 27035099 | Bracket for sensor | Stainless Steel 1.4301 (AISI 304) | 0,038 kg |
| 12 | 4 | 27035100 | Cylinder bracket | | 0,040 kg |
| 13 | 4 | 27035104 | Gelenkkopf | Polyaryletherketone Resin | 0,015 kg |
| 14 | 2 | 277300017 | 2m Intralox conveyorbelt | | 30,546 kg |
| 15 | 1 | FTD 100.11.100 | Foundation Assembly | | 48,059 kg |
| 16 | 6 | 27145237 | Steelring with Setscrew 25 | Stainless Steel 1.4301 (AISI 304) | 0,096 kg |
| 17 | 4 | 27020017 | Plastic Bearing | Polyaryletherketone Resin | 0,006 kg |
| 18 | 8 | FTD100.10.22 | Conveyormount | Stainless Steel 1.4301 (AISI 304) | 0,157 kg |
| 19 | 4 | FTD100.11.22 | Conveyormount | Stainless Steel 1.4301 (AISI 304) | 0,315 kg |
| 20 | 20 | 27145236 | Steelring with Setscrew 20 | Stainless Steel 1.4301 (AISI 304) | 0,054 kg |
| 21 | 4 | FTD 100.10.18 | Bolt for Conveyor mount | Stainless Steel 1.4301 (AISI 304) | 0,575 kg |
| 22 | 4 | FTD 100.10.19 | Bolt for Guide | Stainless Steel 1.4301 (AISI 304) | 1,219 kg |
| 23 | 4 | ISO 4762 - M8 x 20 | Hexagon Cap Screw | Stainless Steel | 0,015 kg |
| 24 | 2 | FTD 100.10.23 | Guide Bracket | Stainless Steel 1.4301 (AISI 304) | 0,387 kg |
| 25 | 4 | FTD 100.10.21 | X-Direction | Stainless Steel | 0,724 kg |
| 26 | 2 | FTD 100.10.24 | Guide Support | Stainless Steel 1.4301 (AISI 304) | 1,207 kg |
| 27 | 2 | 27035094 | Guide Cylinder | | 1,279 kg |
| 28 | 4 | FTD 100.10.27 | Trapdoor Cylinder Bracket | Stainless Steel | 0,045 kg |
| 29 | 2 | FTD 100.10.11 | Cylinderfoot | Stainless Steel 1.4301 (AISI 304) | 0,115 kg |
| 30 | 2 | FTD 100.10.29 | Cylinder bracket2 | Stainless Steel 1.4301 (AISI 304) | 0,095 kg |
| 31 | 8 | 27020019 | Plastic Bearing for shaft Ø20 | Polyaryletherketone Resin | 0,003 kg |
| 32 | 16 | FTD 100.10.30 | Nut for guides | Stainless Steel 1.4301 (AISI 304) | 0,013 kg |
| 33 | 48 | ISO 4762 - M5 x 40 | Hexagon Cap Screw | Stainless Steel | 0,008 kg |
| 34 | 2 | 27186029 | Universal reflector | | 0,020 kg |
| 35 | 4 | 27186009 | Photocell | | 0,007 kg |
| 36 | 1 | FTD 100.10.31 | Cover and Support | Stainless Steel 1.4301 (AISI 304) | 0,818 kg |
| 37 | 1 | FTD 100.10.31MIR | Support | Stainless Steel 1.4301 (AISI 304) | 0,818 kg |
| 38 | 8 | FTD 100.10.32 | Sliding rail | Nylon-6/6 | 0,088 kg |
| 39 | 4 | 27035008 | Cylinder 16/15 | | 0,179 kg |
| 40 | 4 | 27035086 | Gelenkkopf | | 0,004 kg |
| 41 | 8 | FTD 100.10.34 | Relief Shaft Bracket | Nylon-6/6 | 0,003 kg |
| 42 | 2 | FTD 100.10.36 | Relief shaft | | 0,094 kg |
| 43 | 1 | FTD 100.10.13 MIR | Trapdoor guide Mirrored | Stainless Steel 1.4301 (AISI 304) | 5,274 kg |
| 44 | 1 | FTD 100.10.39 | Support bolt | Stainless Steel 1.4301 (AISI 304) | 1,529 kg |
| 45 | 2 | FTD 100.10.40 | Strip for El.cabinet | Stainless Steel 1.4301 (AISI 304) | 1,547 kg |
| 46 | 1 | FTD 100.10.46 | Limitation foot | | 1,205 kg |
| 47 | 1 | FTD 100.10.46 MIR | Limitation foot Mirrored | | 1,205 kg |
| 48 | 2 | FTD 100.10.36 MIR | Relief shaft Mirrored | | 0,094 kg |
| 49 | 1 | FTD 100.10.48 | Bracket for pressure reducer | Stainless Steel 1.4301 (AISI 304) | 0,229 kg |
| 50 | 1 | 27012006 | Electrical Cabinet | Stainless Steel 1.4301 (AISI 304) | 6,955 kg |
| 51 | 1 | 27012006D | Electrical Cabinet Door | Stainless Steel 1.4301 (AISI 304) | 3,180 kg |
| 52 | 2 | FTD100.07.110 | 2145 Conveyor insert | Welded Stainless Steel, 440C | 2,295 kg |
| 53 | 8 | 27035074 | Sensor | Delrin, Black | 0,001 kg |
| 54 | 1 | 27035110 | Filter Regulator | Default | 0,658 kg |

| | | | | |
|---|---|----------------------------------|------|---------------------------|
| Designed by K.Foss | Checked by  | Approved by | Date | Date 17.04.2007 |
|  FossTech - experts in packaging - Sportstrasse 15, D-40547 Düsseldorf +49 (0)211 538 2277 - info@fosstech.com | | FTD 100.10.100 Assembly conveyor | | Edition Sheet 4 / 4 |