

## Yamada NDP-80-BAN Luchtaangedreven membraanpomp / Air powered diaphragm pump / Druckluftbetriebene Membranpumpe

<b>€</b>	-	prijs per stuk / each			
<b>On request</b>		totaalprijs / total amount		prijs / price	
Code 7014				excl.	TRANSPORT / BTW / VAT/as is where is
Omschrijving/description		CAT A	OV		



We hebben een aantal luchtaangedreven pompen beschikbaar uit een voormalige testopstelling. Het betreft sets van twee pompen per skid/lekbak. Specificaties zijn bijgevoegd. Manual in NL en E is beschikbaar.

We have some skidmounted air powered diaphragm pumps available, 2 pumps per skid. Pumps have been used in a testing area and available for immediate supply. Specifications are attached and complete manual is available.

Wir haben einige Druckluftbetriebene Pumpen verfügbar. Die Pumpen sind auf einen "Skid"/ Auffangwanne gebaut. Zwei Pumpen pro "Skid" Spezifikationen finden Sie beigefügt und komplettes Handbuch (Englisch) ist verfügbar.



Postbus 17  
7480 AA Haaksbergen  
E-mail: [ihb@ihbinternational.nl](mailto:ihb@ihbinternational.nl)  
Web: [www.ihbinternational.nl](http://www.ihbinternational.nl)

Tel. + 31 (0)53 57 431 43  
Mob. + 31 (0)63 01 548 26  
Fax + 31 (0)84 87 266 72

BTW nr. 1014.51.556.B.02

## NDP-80 Series Specifications

### Port Dimensions

Intake & discharge connection:

Polypropylene (PPG) 3"80 mm

DIN DN 80 PN 10

Aluminum (ADC-12) 3"80 mm

ANSI B16,5 # 150

(with tapped 3"80 mm Female

BSPT) Stainless Steel (316) 3"80 mm

DIN DN 80 PN 10

or 3"80 mm Female BSPT

Cast Iron 3"80 mm Female BSPT Air

inlet (incl. ball valve): 3/4"20 mm Female BSPT

Air exhaust (incl. silencer): 1" 25 mm Female

BSPT

Notes: Flange connections are also equivalent to JIS

10K 80A and ANSI 150 3

### Maximum Liquid Temperature\*

#### Diaphragm Material

	Temperature	Neoprene
		82° C (180° F)
F) Buna N		82° C (180° F)
F) EPDM	100° C (212° F)	Hytrell®
(TPEE)	120° C (248° F)	Santoprene®
(TPO)	100° C (212° F)	Viton®
fluoroelastomer	120° C (248° F)	Teflon®
(PTFE)	100° C (212° F)	

\*The maximum liquid temperature for metal and

Kynar®-fitted pumps is determined by the Elastomer (diaphragm material). Polypropylene and Groundable Acetal pumps have a maximum liquid temperature of 82° C (180° F) regardless of diaphragm material.

### Air Supply Pressure (All Models)

1,4 - 7 BAR (20 - 100 PSI)

### Discharge Volume Per Cycle

Rubber diaphragm: 8,57 liters (2,26 US gallons)

PTFE diaphragm: 3,8 liters (1 US gallons)

### Maximum Cycles Per Minute:

Rubber diaphragm: 95

PTFE: diaphragm: 160

### Maximum Size Solid

10 mm (13/32")

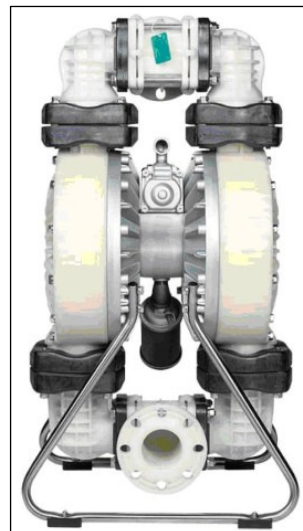
### Maximum Dry Suction Lift

Rubber-fitted pump capability: 5,8 m (19 feet)

### Aluminum Air Motor-Standard

Optional: Epoxy-coated, Teflon®-coated, or Electroless Nickel Plate

Notes: Hytrell® - fitted pumps include PTFE check balls & wetted o-rings. Santoprene® - fitted pumps include EPDM check balls & wetted o-rings. AutoCAD® drawings are available on CDR0M or at [yamada-europe.com](http://yamada-europe.com)



### Stainless Steel

Dimensions: 521 mm W x 984 mm H

Net Wt.: 104 kg (229 lbs.)

Shipping Wt.: 119 kg (262 lbs.)

### Aluminum

Dimensions: 522 mm W x 998 mm H

Net Wt.: 62 kg (137 lbs.)

Shipping Wt.: 77 kg (170 lbs.)

### Cast Iron - NPT

Dimensions: 521 mm W x 984 mm H

Net Wt.: 110 kg (243 lbs.)

Shipping Wt.: 125 kg (276 lbs.)

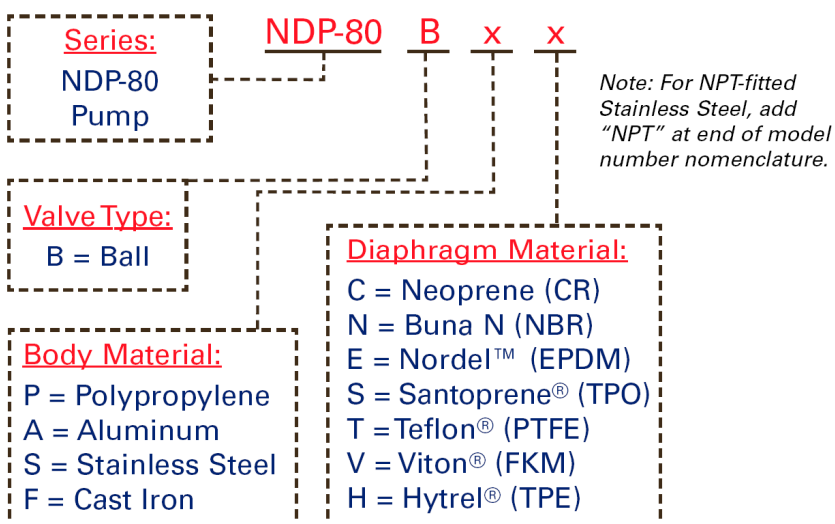
### Polypropylene

Dimensions: 580 mm W x 1044 mm H

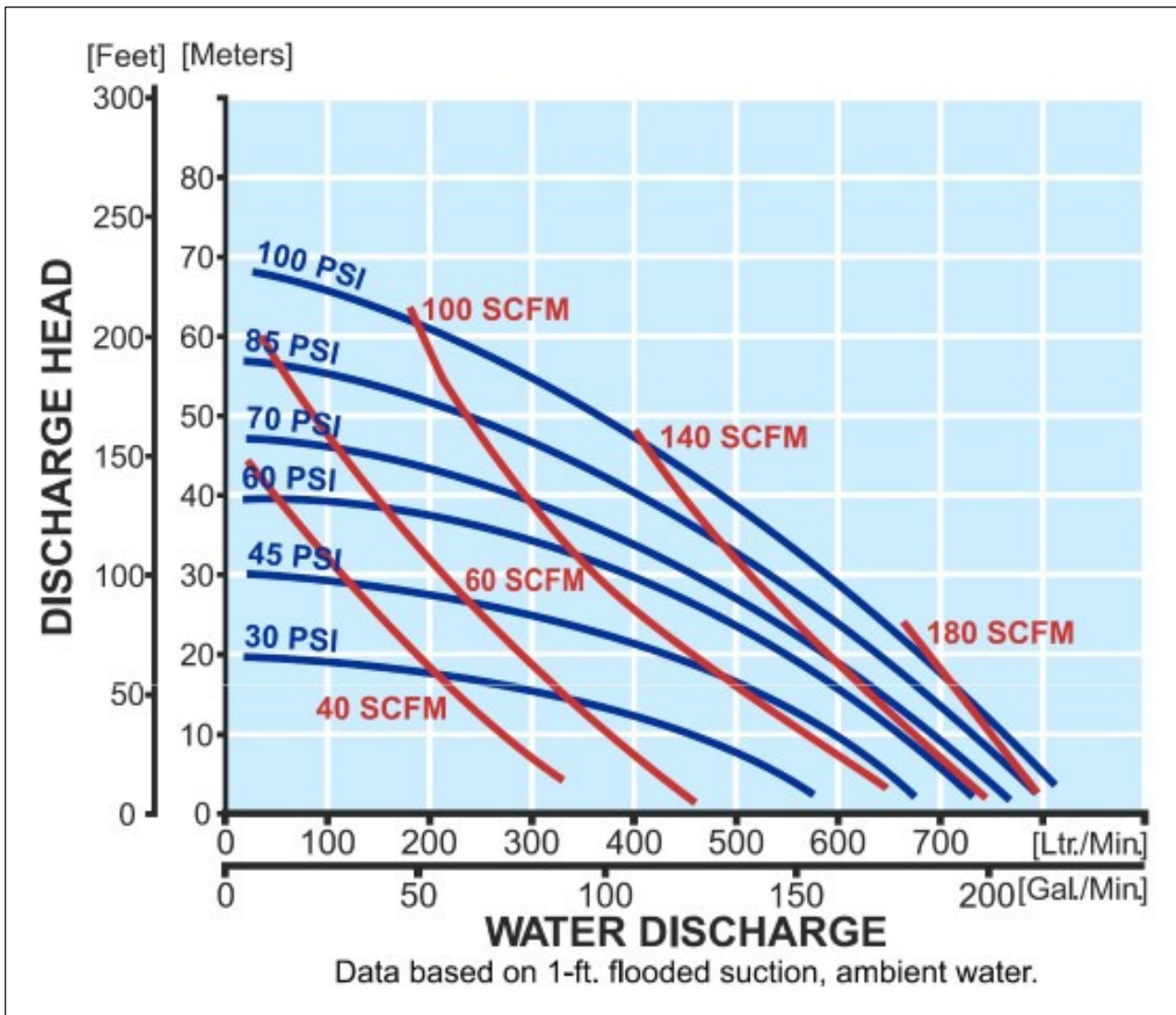
Net Wt.: 70 kg (154 lbs.)

Shipping Wt.: 85 kg (187 lbs.)

## Model Number Nomenclature

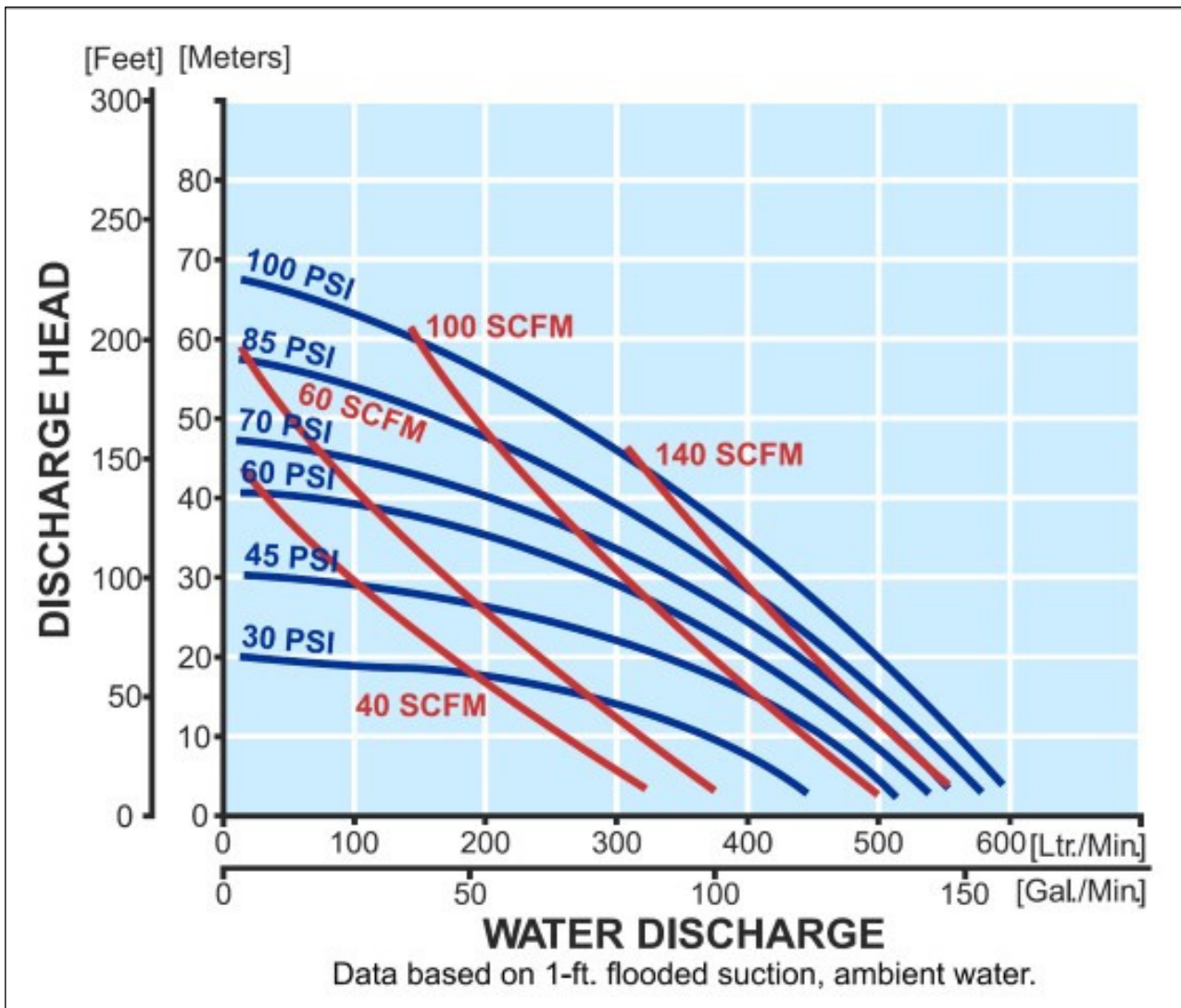


## NDP-80 Performance Curve - Rubber All Diaphragm Materials



To calculate performance for Santoprene® and Hytrel®-fitted pumps, use Rubber Diaphragm Curve.

## NDP-80 Performance Curve - PTFE All Diaphragm Materials



To calculate performance for Santoprene® and Hytrel®-fitted pumps, use Rubber Diaphragm Curve.

