



Postbus 17
7480 AA Haaksbergen
E-mail: ihb@ihbinternational.nl
Web: www.ihbinternational.nl

Tel. + 31 (0)53 57 431 43
Mob. + 31 (0)63 01 548 26
Fax + 31 (0)84 87 266 72

BTW nr. 1014.51.556.B.02

HIJSBALKEN / HOISTING BEAMS

€ -	prijs per stuk				
€ 10.000,00	totaalprijs			prijs is:	
code 1724-17				exclusief	transport
Omschrijving	CAT A	ZL		exclusief	BTW

Hijsframe 100 ton, verstelbaar binnen vierkant 3060x3060mm, bestaande uit:

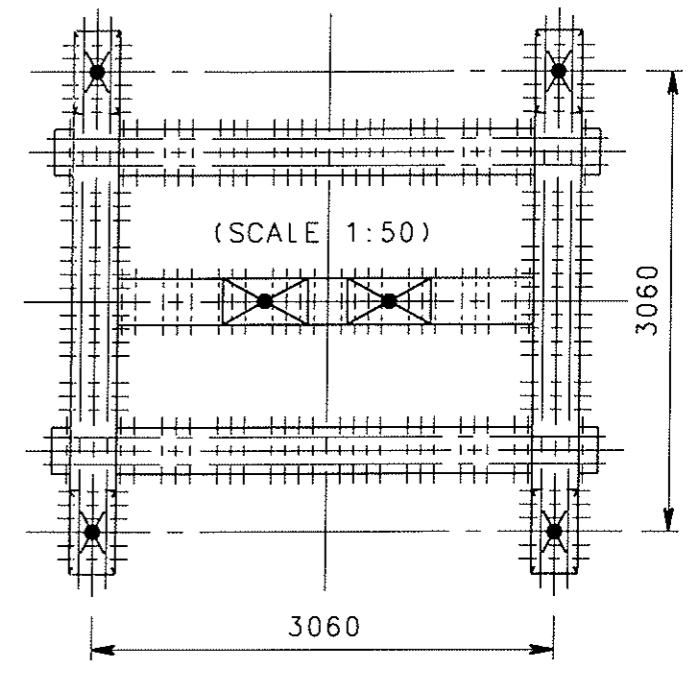
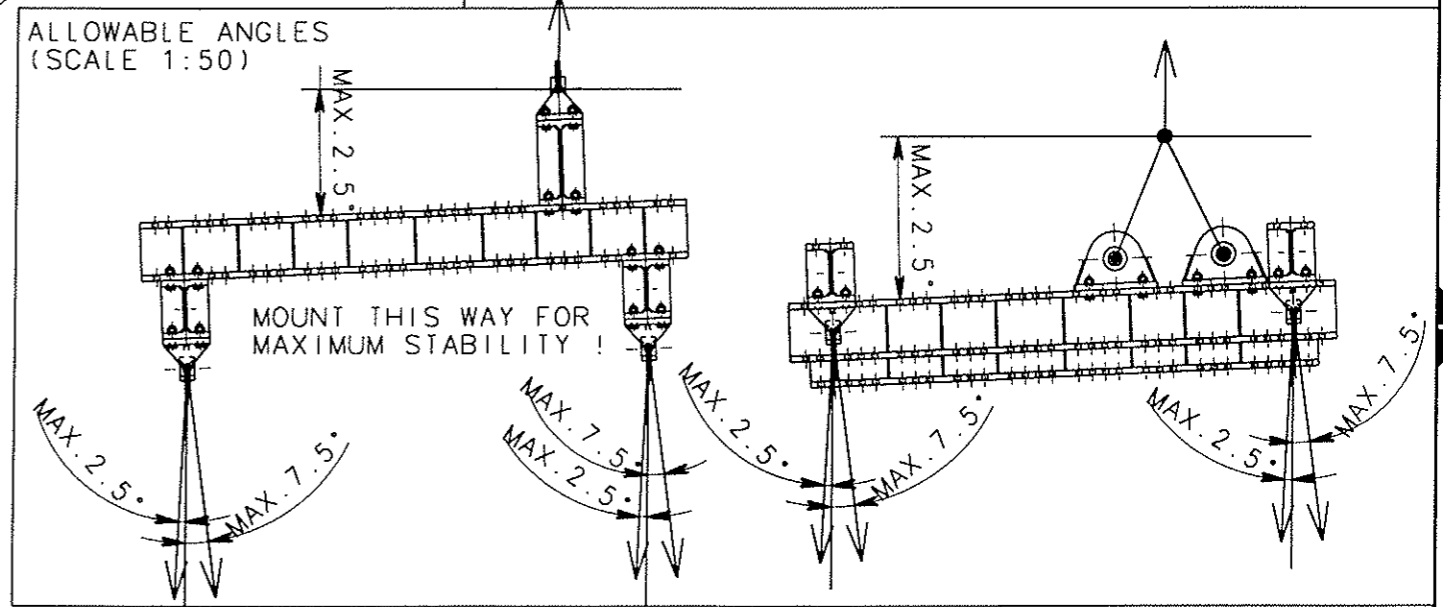
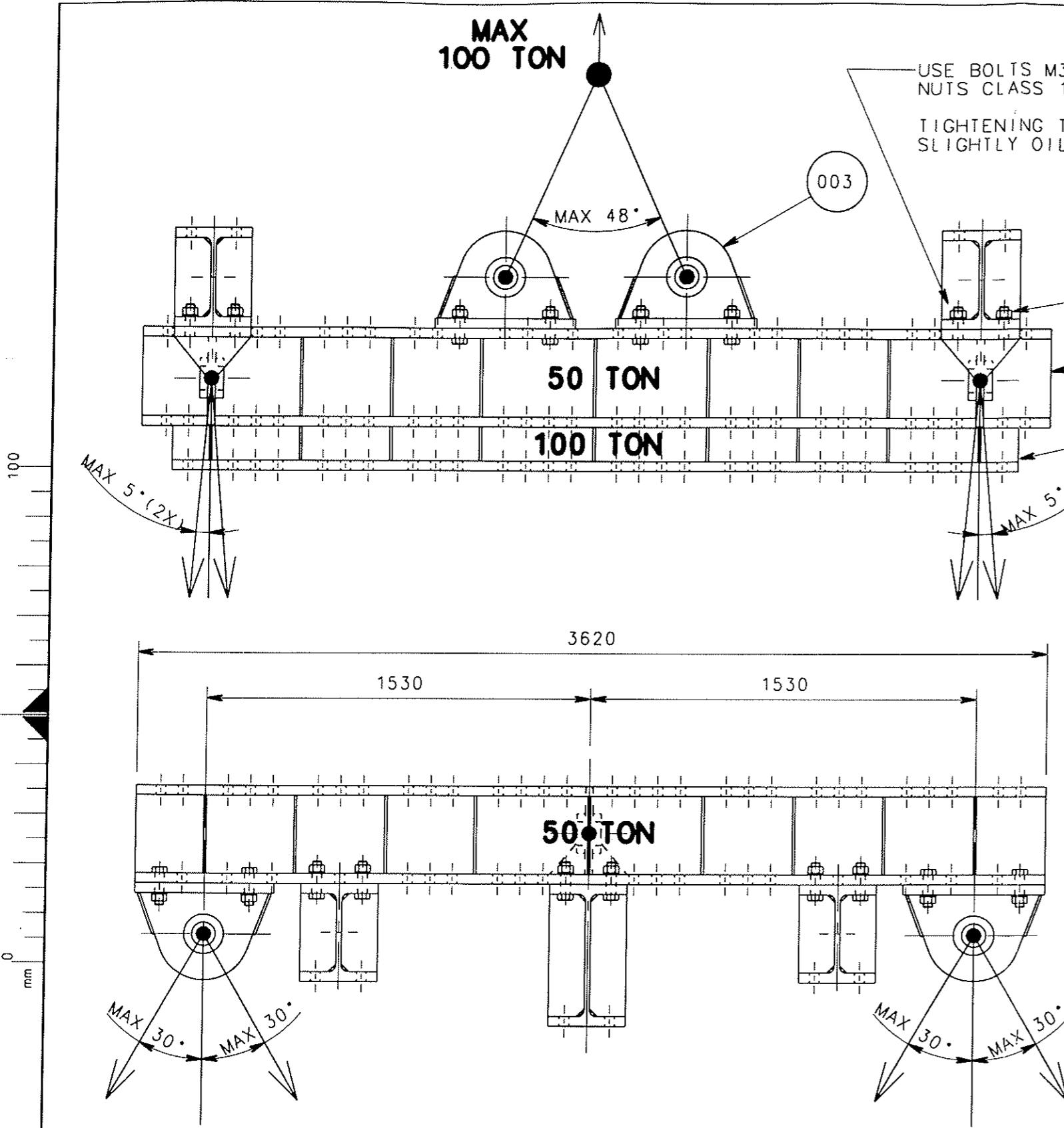
1 x Balk SWL 100 ton, gewicht 1010kg

4 x Balk SWL 50 ton, gewicht 960kg/st

6 x Hijssoog SWL 55 ton, gewicht 90kg/st

Bouwjaar 2000 en praktisch niet gebruikt.





ASSEMBLY AND ALL PARTS INDIVIDUALLY TO BE TESTED:		
	TEST LOAD	SAFE WORKING LOAD
ASSEMBLED FRAME	110 TON	100 TON
BAR 100 TON	110 TON	100 TON
BARS 50 TON	55 TON	50 TON
HOISTING PLATES 55 TON	61 TON	55 TON
HEXAGON BOLTS M36X150 CLASS 10.9	-	15 TON
HEXAGON NUTS M36 CLASS 10	-	15 TON

CAD DRAWN NOT TO BE MODIFIED BY HAND					
DRAWN OR REVISED	VERIFIED MGR. MEDD	VERIFIED BY PC	RELEASED PROD Q.A.		
REV. NAME	DATE	PAR. DATE	PAR. DATE	PAR. DATE	PAR. DATE
E HEIJBOER	300300				
a E HEIJBOER	070600	EY	7/6/00	7/6/00	7/6/00
b					
LTR.	REVISION (description)				
A	M36X150 ALTERED INTO M36X130. SEE ARROW:				

SCALE 1:20 MASS 5380 KG

SCHELDE GEARS

TITLE
**HOISTING FRAME
100 TON**

ORDER S-TOOL DRAWING NO. **78.80.070** A

COPYRIGHT SCHELDE GEARS B.V.
MOREOVER THIS DOCUMENT IS THE PROPERTY OF SCHELDE GEARS B.V.
THIS DOCUMENT OR ANY PART THEREOF MAY NOT BE MADE KNOWN,
BE COPIED OR BE DISCLOSED OR IN ANY OTHER WAY BE MADE USE
OF WITHOUT WRITTEN PERMISSION FROM SCHELDE GEARS B.V.

- UNTOLERANCED DIMENSIONS
- MACHINED ACC. NEN-ISO 2768 CLASS m (MIDDLE)
WITH MAX. + OR - 0.5 mm
- UN-MACHINED ACC. CLASS c (ROUGH)
- SURFACE ROUGHNESS ACC. NEN 3631 NEN 3638 (ISO 468)
- TOLERANCES ON FORM AND POSITION ACC. NEN-ISO 1101